



VOLUME 13



World's Most Trusted Gate Hardware

**D<sup>®</sup>** D&D Technologies  
World's most trusted gate hardware  
[www.ddtech.com](http://www.ddtech.com)





## Since 1989

Proudly the world's leading innovator and manufacturer of premium gate latches, locks and hinges...

The installation of a new gate is an important decision, regardless of it being for residential, industrial, commercial or child safety applications.

In general, gate latches and hinges make up just 1% of the total cost of a fencing installation...but it makes the other 99% function effectively.

The operation, construction (materials used), quality, weight, functionality, footprint and security are just some of the variations to consider when making an informed decision about gate hardware.

For over 30 years, D&D Technologies has been developing gate-closing systems you can trust, with state-of-the-art manufacturing, quality testing and, most importantly, products backed by a guarantee to always perform to their intended use.

D&D Technologies now has over 300 Hi-Performance Gate Hardware Solutions!

# AWARDS, MEMBERSHIPS, GLOBAL AFFILIATIONS & COMPLIANCES

D&D Technologies operates under a fully accredited and internationally recognized ISO 9001 Quality Assurance System, which governs the design and manufacture of all our proprietary products



Australian Design Award



MASTER BUILDERS AUSTRALIA  
016 National Award Winner



SILVER MEDAL



LE.MT. GENEVA



American Fence Association

## AUSTRALIA-NZ

- Australian Made & Owned – an accreditation system, which ensures products that carry the logo are certified as ‘genuinely Australian’.
- Master Locksmiths Association of Australasia Ltd
- Standards Australia – Pool Fencing & Safety Gate Compliance
- Swimming Pool & Spa Association (SPASA)
- Laurie Lawrence’s “Kids Alive – Do The Five” Program
- Water Safe Auckland
- McDonald’s® Restaurant Playlands (Australia)
- Architectural Hardware Industry Association (AHIA)
- Master Builders’ Association (MBA)

## NORTH AMERICA

- U.S. Consumer Product Safety Commission (CPSC)
- American Fence Association
- Association of Pool & Spa Professionals (APSP)
- International Code Council (ICC)
- ASTM International (ASTM)
- Co-founder/Sponsor, National Drowning Prevention Alliance (NDPA)

## EUROPE

- Certain products conform with AFNOR Standard NF P90-306 (relating to swimming pools; tested by LNE EO13331)

## WARRANTIES & LIABILITY

All D&D Technologies’ (“D&D”) proprietary\* products are warranted to be free of defects in materials and workmanship to the original purchaser for as long as they own the product.

If a structural defect appears, the original purchaser may return the item, freight prepaid, together with proof of purchase to D&D or its approved international agents.

D&D or its agent will, at their discretion, repair or replace the defective item or part without charge to the purchaser.

THIS WARRANTY SHALL NOT APPLY WHEN THE product has been tampered with, when repairs or attempted repairs have been made by unauthorized persons, where the item has been subjected to misuse, abuse, accident or damage in transit, or where the installer has not followed the instructions set out during installation, operations or Maintenance Requirements.

IN NO EVENT SHALL THE COMPANY BE LIABLE FOR ANY INCIDENTAL OR CONSEQUENTIAL DAMAGES. No warranty is given other than that set out above. No other express or implied warranties (including statutory warranties) apply, other than warranties which may not be legally excluded.

For full warranty details & conditions please refer to the individual products’ documentation.

**Note:** D&D Technologies reserves the right to modify or update any products within this catalog without notice.

\* Warranty terms on non-proprietary products offered by D&D may carry different conditions and requirements. Refer to those individual products for more details.



# A proud history of innovation



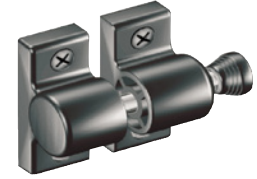
**1985**

D&D Technologies begins life as D&D Aluminum Balustrading, a custom-made, aluminum and glass pool fencing and balcony railing company. Based in Sydney, Australia, it was co-founded by David Doyle and Neil Dunne. The "D&D" is derived from the surnames of the company's founders.



**1988**

**MagnaLatch is invented!** David Doyle sees a TV science program featuring "rare earth" magnets – powerful "new" magnets that never lose their magnetic force. From this he gets the inspiration for a magnetic gate latch that won't jam, stick or rust, and will always engage.



**1989**

**The first magnetic gate latch manufactured.** The first hand-made MagnaLatch® 'Side Pull' is contrived for use on all D&D Aluminum's gates. D&D Technologies is formed soon after to manufacture the latches.

**2009**

Introduces the TruClose® Vizage™ Hinge for glass-to-round-post gates and fences, with revolutionary tension adjustment from both ends of hinge! The Vizage™ Hinge is the first to market with optional, decorative metalized trim covers.



**2006**

Series 2 LokkLatch® DELUXE and LokkLatch® launched.



**2007**

Patent application filed for a LokkLatch® with a self-locking mechanism. LokkLatch® PRO Self-Locking Gate Latch launched to market.



**2004**

LokkLatch® PRO Privacy & Security Gate Latch wins the Australian Design Mark from Standards Australia. D&D founds the National Drowning Prevention Alliance.

**2010**

TruClose® Vizage™ receives a Australian Design Mark from Good Design Australia. MagnaLatch® LOCKABLE Side Pull Series 2 launched.



**2012**

Introduces innovative, sustainable-design flexible pouches for retail hardware lines, eliminating the need for costly and wasteful clamshell packs.



**2011**

Introduces the SureClose® range of heavy duty, hydraulic gate hinges and hinge-closers. Stainless Steel Vizage™ Side Pull Gate Latch launched.



**2013**

Introduces the TruClose® Series 3 safety gate hinge range. LokkLatch® MAGNETIC launched in another innovative 'first' to market. Both product ranges include optional, metalized trim covers.

## 1990

D&D invents Polymer Safety Gate Hardware. D&D releases the original MagnaLatch® Top Pull Child Safety Gate Latch & TruClose® Series 1 Polymer Hinges. Both revolutionize child safety around swimming pools, childcare centres, homes and businesses. MagnaLatch® wins the Silver Medal at the renowned Geneva Convention for New Products & Innovations.



## 1991

MagnaLatch® Series 1 wins the prestigious Australian Design Award from Standards Australia.

**Australian Design Award**



## 1992

The original TruClose® Series 1 Gate Hinge wins the Australia Design Award from Standards Australia.

## 1996

TruClose® Series 2 Regular, Heavy Duty and MultiAdjust Hinges are born. D&D Technologies (USA) Inc. established in Los Angeles, California. Export markets expand to numerous countries, marking the beginning of D&D Technologies as a global brand.



## 2000

MagnaLatch® Series 2 'Top Pull' wins Kidsafe 'Product of the Year'. MagnaLatch® endorsed by Royal Life Saving Society, Water Safety NZ and Laurie Lawrence's Kids Alive Drowning Prevention Program.



## 1999

D&D releases MagnaLatch Top Pull 'Series 2', a marked improvement over Series 1 designs and the world's first horizontally and vertically adjustable safety gate latch.



## 1997

The original LokkLatch® Series 1 with an External Access Kit (push-button) and built-in locks is launched, marking the first significant advancement in gravity gate latches in centuries.



## 2002

Launch the LokkLatch PRO, a true key-way lock, accessible from both sides with 6-pin security locks. David Doyle posthumously awarded SPASA's (Swimming Pool & Spa Association) coveted Ellis Champion Award.



## 2014

Introduces the stylish MagnaLatch® Series 3 with revolutionary Locked/Unlocked indicator. SureClose® READYFIT launched. SureClose® READYFIT wins the Architectural Record's 2014 Product Award in the USA.



## 2015

Introduces the MagnaLatch® ALERT Gate Latch-Alarm, the world's first safety gate latch with built-in electronic alarms. MagnaLatch® ALERT awarded Good Design Award by Good Design Australia. KwikFit™ Aluminum Hinge range launched.



## 2016

D&D acquires Shut-It® Gate Hardware, a range of industrial, metal gate hardware. 'Bad Ass' and 'Hard Core' product lines introduced to the D&D range. D&D Technologies wins the Australian National Export Award from Master Builders Australia.



## 2017 - 2019

Introduces the SureClose® CONCEALFIT all-in-one concealed hydraulic hinge-closer for doors. Introduces the LokkLatch® PLUS Privacy Gate Latch with distinctive D&D-green key, as well as the KwikFit™ 1" Aluminum Gate Hinge.





# The world's most trusted gate hardware



## WHY A WELL-MAINTAINED GATE IS A SMART DECISION

1

In general, gate latches and hinges make up just 1% of the total cost of a perimeter fence...but it makes the other 99% function effectively.

2

Fences and gates can shift due to ground settling, environmental factors and general use and abuse. Latches, locks and hinges should be readily adjustable to ensure that gates work reliably and safely at all times.

3

Gates are the only moving part of the fence system. Gates depend on high-quality gate hardware to function properly in all conditions and climates.

4

Properly functioning gates that self-close, self-latch and provide ongoing adjustability (alignment) give consumers peace-of-mind. Gates and gate hardware should provide security and safety at all times.



### ADJUSTABILITY

Hardware that's easily installed and can be adjusted for vertical and horizontal alignment, or self-closing tension.



### QUALITY

Super-strong engineering polymers and quality, stainless steel components offer rust-free reliability over a lifetime.



### RELIABILITY

D&D gate hardware is designed to work in the harshest environments and conditions - freezing, heat, salt, sand...



### WARRANTY

D&D's exceptional Lifetime Warranty (most products) is your guarantee of peace-of-mind during and well after your hardware has been installed.



### TESTING

All our hardware is rigorously tested to meet international Standards/Codes and to comply with ISO-9001 Quality Assurance.



### SECURITY

D&D's award-winning innovations provide the quality and strength expected to keep children, homes and businesses safe and secure.

The D&D Technologies' range of quality gate latches, locks, hinges and closers are designed to protect your loved ones by safeguarding swimming pools, homes, gardens and perimeter gates and fences.

### Experience counts

D&D Technologies began life as a fencing company more than 30 years ago. Our multi-award-winning products are the choice of fencing professionals and DIYers worldwide.

### We are proudly Made in Australia

All of D&D's polymer gate hardware is manufactured in our own facilities in Sydney Australia, and subject to ISO-9001 Quality Assurance auditing and certification. This ensures that our strict quality standards and product reliability are maintained on all products.

### We offer a Lifetime Warranty

We confidently offer a Lifetime Warranty on all our D&D-manufactured gate hardware products. Some electrical components are limited to a 2-Year Warranty from our supplier/manufacturer.

### Our products will not rust or stain

D&D invented the world's first polymer gate latches and hinges (and magnetic gate latches) constructed of engineering polymers and marine-grade stainless steel components. Our long-lasting polymer and stainless steel hardware will not rust, bind, sag or stain.

### Your safety is our priority

We are constantly refining the designs of our premium gate hardware to improve child safety around swimming pools, childcare centres, schools, resorts, hotels, homes and businesses.

### Innovation is our passion

We employ a dedicated team of Research and Development engineers and industrial designers to develop new and improved products year after year. The result is innovative, state-of-the-art gate hardware boasting numerous design awards and accolades from safety organizations.

- 10** ..... **MAGNETIC LATCHES**  
MagnaLatch® ALERT\*  
MagnaLatch® TOP PULL\*  
MagnaLatch® VERTICAL PULL\*  
MagnaLatch® SIDE PULL\*  
MagnaLatch® VIZAGE®\*
- 19** ..... **LOCKABLE LATCHES**  
PullBolt™\*  
LokkLatch® PLUS\*  
LokkLatch® DELUXE\*  
LokkLatch® REGULAR\*  
LokkLatch® ROUND\*  
LokkLatch® PRO.SL\*  
LokkLatch® MAGNETIC\*  
T-Latch™
- 26** ..... **SELF-CLOSING HINGES**  
TruClose® REGULAR  
TruClose® HEAVY DUTY  
TruClose® ROUND  
TruClose® MULTI-ADJUST  
TruClose® VIZAGE®  
DecoMold™
- 36** ..... **KWIKFIT ECONOMICAL HINGES**  
KwikFit™ ALUMINUM Hinges  
KwikFit™ POLYMER Hinges
- 40** ..... **GATE ACCESSORIES**  
LokkBolt®\*  
Q-Bolt™  
GateStop™  
GateHandle™
- 43** ..... **HYDRAULIC HINGE/CLOSERS**  
SureClose® READYFIT\*  
SureClose® FLUSH/CENTER MOUNT\*  
SureClose® CONCEALFIT\*  
SureClose® EASY\*
- 55** ..... **INDUSTRIAL HINGES**  
Shut-It™ BadAss™ Hinges
- 66** ..... **GATE WHEELS**  
Shut-It™ HardCore™ Wheels/Accessories
- 75** ..... **WOOD GATE HARDWARE**  
Wood Hardware Latches  
Wood Hardware Accessories  
Wood Hardware Hinges
- 80** ..... **STAINLESS STEEL HARDWARE**  
D&D Stainless Steel Latches  
D&D Stainless Steel Hinges

\* Indicates product affected by Californian Govt "Prop 65" initiative, whereby products contain possible harmful substances listed under Prop 65 guidelines. Substances used in D&D's products are not airborne, unbound particles of a respirable size, as Prop 65 outlines.



## POOL AND CHILD SAFETY GATES

Safety gates around pools, homes, childcare centers, schools and wherever safety is critical, need hardware you can trust. D&D invented the MagnaLatch® over 30 years ago, and with millions installed worldwide, they continue to set the standard in compliant, child safety gates.

- MagnaLatch® ALERT Top Pull** – Latch with electronic alarms
- MagnaLatch® Top Pull** – Reliable, magnetic latching
- MagnaLatch® Side Pull Lockable** – Small, magnetic latch
- Truclose® Regular** – Self-closing hinges for regular gates
- Truclose® Heavy Duty** – Self-closing hinges for heavier gates
- SureClose® SF models** – Hydraulic hinge-closers



## FRONT ENTRANCE OR GARDEN GATES

Usually constructed of metal, wood, vinyl or Colorbond®, residential entrance gates are often high traffic, so need to be reliable and secure, with smooth and even closure. D&D gate latches and hinges are designed to last – no rusting, sagging, binding or staining. Easy to install, and adjustable to allow for fence or ground movement.

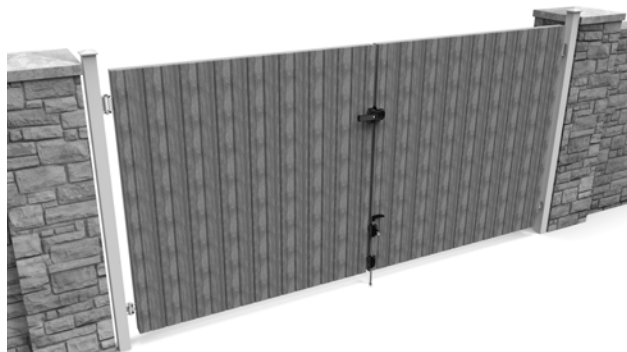
- MagnaLatch® Side Pull** – Lockable or non-lockable latches
- LokkLatch®** – Versatile range of lockable gate latches
- T-Latch** – Toggle-style gravity latch; padlockable
- Truclose®** – Self-closing hinges for heavy or high traffic gates
- KwikFit™** – Aluminum and Polymer self-closing hinges



## PRIVACY AND SECURITY GATES

Privacy gates for residential or commercial applications are designed to protect loved ones, pets and property. D&D's range of gate latches, locks and self-closing hinges are guaranteed to offer reliability and added protection for perimeter and side gates.

- MagnaLatch® ALERT Vertical Pull** – Latch with electronic alarms
- MagnaLatch® Vertical Pull** – Reliable, magnetic latching
- LokkLatch®** – Versatile range of lockable latches
- SureClose®** – Hydraulic hinge-closers
- Truclose® Regular** – Self-closing hinges for regular gates
- Truclose® Heavy Duty** – Self-closing hinges for heavier gates
- KwikFit™** – Aluminum and Polymer self-closing hinges



## DOUBLE DRIVEWAY GATES

Swinging, double driveway gates give a more traditional look by opening from the center. The gates can be automated with less swing and weight than single driveway gates, but require hinges on both sides, plus a latch and optional drop-bolts. D&D's range of double driveway gate hardware is designed for this type of application.

- MagnaLatch® S3 Vertical Pull** – Magnetic, reliable closure
- LokkLatch®** – Range of lockable latches
- Truclose®** – Self-closing hinges for heavy or high traffic gates
- SureClose®** – Hydraulic hinge-closers
- Shut-It® BadAss™** – Heavy-duty, weld or bolt-on hinges
- LokkBolt® & Q-Bolt™** – Drop-bolts for Metal, wood and Vinyl



# D&D gate hardware for every application



## ROUND-POSTED CHAINLINK GATES

Chainwire gates, also known as chainlink and chainmesh gates, are used for a variety of domestic, commercial or industrial applications, including tennis court fencing, factory/building enclosures, ball-game practice nets, sporting enclosures and temporary fencing.

**LokkLatch® ROUND** – Lockable Gate Latch for round posts  
**MagnaLatch® TP or VP** with round-post adaptor kit  
**TruClose® ROUND** – Heavy Duty hinges for round posts  
**MiniMultiADJUST™** – Round post hinge for regular gates  
**Shut-It® BadAss™** – Weld-on or bolt-on heavy duty hinges  
**GateStop™** – Reduces gate slam noise



## HIGH SECURITY ACCESS GATES

High-security pedestrian gates are designed to provide self-closing and lockable access to secure people and property. Often used for commercial entry gates at schools, apartments, data centers, strata buildings, government depots, police stations, industrial sites and other high security applications.

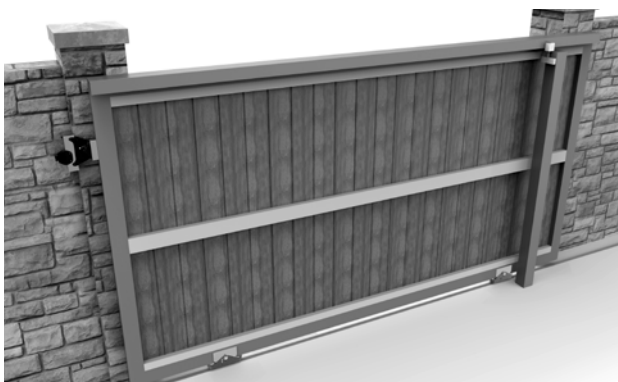
**LokkLatch® DELUXE** – Key lockable, premium gate latch  
**LokkLatch® PRO.SL** – Self-locking, security gate latch  
**TruClose® Heavy Duty** – Self-closing hinges for heavy gates  
**SureClose® READYFIT** – External mount hydraulic hinge-closers  
**SureClose® FLUSH/CENTER MOUNT** – Hydraulic hinge-closers  
**Shut-It® BadAss™** – Weld-on or bolt-on heavy duty hinges



## GLASS GATES WITH ROUND METAL POSTS

Semi-frameless glass is typically 8mm or 10mm ( $\frac{5}{16}$ " or  $\frac{3}{8}$ "") thick supported by steel or aluminum round posts. The glass is then mounted into the post with rubber seals to prevent the glass from moving. D&D has developed a range of gate hardware to complement this style of modern pool fence or balustrading system.

**MagnaLatch® Side Pull** – Lockable or non-lockable latches  
**Glass Hardware Kit MLSPS2GHK** - Latch with gate-stop  
**MagnaLatch® Vizage®** – Stainless steel magnetic latch (bracket required)  
**TruClose® Vizage** – Self-closing hinges with decorative trim



## ROLLING-ACCESS CONTROL GATES

Sliding gates are either on a track (wheels slide on metal track) or are of a cantilevered sliding gate system where the gate is structurally supported by rollers or wheels.

**LokkLatch® DELUXE** – Key lockable, premium gate latch  
**LokkLatch® PRO.SL** – Self-locking, security gate latch  
**Shut-It® HardCore™** – Gate wheels and accessories

# Choosing your latch or lock



MagnaLatch® ALERT  
Top Pull & Vertical Pull

MagnaLatch®  
Top Pull & Vertical Pull

MagnaLatch® Side Pull  
Lockable & non-lockable

LokkLatch® MAGNETIC

LokkLatch® DELUXE

GATE LATCH/LOCK PRODUCT	LOCK TYPE/ REKEYABLE	IDEAL GATE GAP	GAP VARIANCE	VERTICAL ADJUSTMENT	LOCKS OR OPERATES FROM BOTH SIDES OF THE GATE
<b>MagnaLatch® Top Pull and Top Pull ALERT</b> Magnetic child safety gate latch. ALERT model with visual and audible alarms. Key Lockable.	6-Pin/Yes	¾" 19mm	½"-1½" 13-38mm	1½" 38mm	No
<b>MagnaLatch® Vertical Pull and Vertical Pull ALERT</b> Magnetic front gate, side gate and pet safety gate latch. ALERT model with visual and audible alarms. Key Lockable.	6-Pin/Yes	¾" 19mm	½"-1½" 13-38mm	1½" 38mm	No
<b>MagnaLatch® Side Pull</b> General-purpose gate latch for gates around homes and gardens. Available with or without lock cylinder.	Wafer/No	⅜" 10mm	⅝"-1⅛" 7-17mm	⅜" 10mm	No
<b>LokkLatch® MAGNETIC</b> Magnetic gate lock with unique push/pull operation. Locks and operates from both sides of gate.	6-Pin/Yes	¾" 19mm	⅜"-1¼" 10-32mm	½" 13mm	Yes
<b>LokkLatch® DELUXE</b> The Ultimate Privacy & Security Gate Latch. Locks and operates from both sides of the gate. Lock cylinder can be rekeyed to match existing doors and accesses.	6-Pin/Yes	1" 25mm	⅝"-1½" 16-38mm	½" 13mm	Yes
<b>LokkLatch® PLUS</b> Privacy gate latch that locks and operates from both sides of the gate. Semi-security lock cylinder. Smaller footprint than premium LokkLatch DELUXE.	Wafer/No	¾" 19mm	⅜"-1⅛" 10-27mm	½" 13mm	Yes
<b>LokkLatch® REGULAR</b> Lockable gravity latch for general-purpose gates around homes and gardens. Wafer keyed.	Wafer/No	¾" 19mm	⅜"-1⅜" 10-35mm	½" 13mm	Yes, with External Access Button (EAK)
<b>LokkLatch® ROUND</b> Lockable gate latch for round-posted gates and fences. Includes adaptors for various diameters.	Wafer/No	1 ½" 38mm	1¼"-2¼" 32-57mm	½" 13mm	Yes, with External Access Button (EAK)
<b>LokkLatch® PRO.SL</b> Self-locking security gate latch. Requires key to enter and exit. Ideal for hotels, apartments, condos etc.	6-Pin/Yes	¾" 19mm	½"-1½" 13-38mm	⅜" 10mm	Yes
<b>T-Latch®</b> Toggle-style gravity gate latch with floating latch bolt. Automatically compensates for gate sag. Padlockable.	Use Padlock	¾" 19mm	⅜"-1¾" 10-44mm	½" 13mm	No
<b>D&amp;D PullBolt™</b> Heavy duty, 316-stainless steel, sliding (throw) bolt lock. Powerful locking security for a variety of applications.	6-Pin/Yes	¼" 6mm	⅜"-1½" 2-9mm	-	No
<b>MagnaLatch® Vizage™ Side Pull</b> Stylish, stainless steel, magnetic gate latch. Ideal for glass gates but requires mounting brackets.	N/A	Max. ⅜" 10mm	⅝"-1⅛" 7-17mm	⅜" 10mm	No

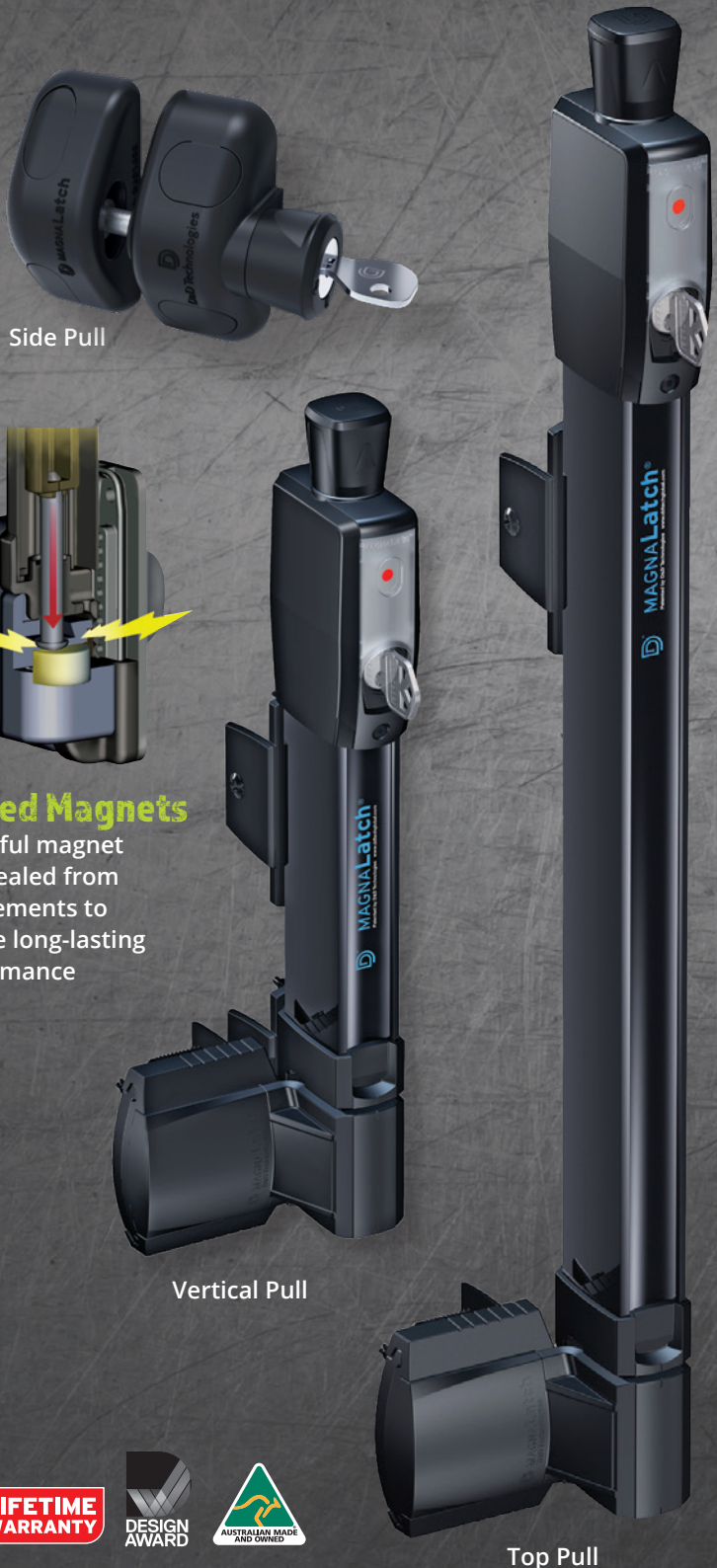
# Check your latch applications and features



METAL	WOOD	VINYL	CHAINLINK	POOL SAFETY GATES	PEDESTRIAN GATES	PRIVACY GATES	DOUBLE DRIVE	AVAILABLE IN WHITE †
●	●	●	●*	●**	●			
●	●	●	●*	●**	●			●†
●	●	●		●**	●			●†
●	●	●			●	●	●	
●	●	●			●	●	●	
●	●	●			●	●	●	●†
●	●	●			●			●†
			●		●			
●	●	●			●	●		●†
●	●	●			●		●	
●	●				●			
●	●			●	●			

\*Using Round Post Adaptor Kit. \*\*Check local pool barrier guidelines for proper installation methods. †White not available in AU/NZ

# World's most trusted child safety gate latches



Side Pull

Vertical Pull

Top Pull

**Child Resistant Knob**

Newly designed shape is more ergonomic, but also more child resistant than ever

**Visible Lock Indicator**

"Red dot" indicator shows, at a glance, whether the latch is locked or unlocked

**Rekeyable Security Lock**

6-pin lock cylinder can be rekeyed (by a locksmith) to match existing doors etc.

**Built-in Post Cap Spacing**

No need for separate post-cap spacers

**T-Track Innovation**

Unique, solid rear mounting track gives superior fixing strength and easy vertical adjustment

**Product Traceability**

Superior, quality manufacturing and responsible tracking through registered product numbering



**Improved Drainage**

Sloping feature channels water away from latch and striker body

**Alignment Indicators**

Help identify when vertical or horizontal adjustment is required

**Safety Stop**

The original safety stop prevents children from pushing the gate down to unlatch



# DD<sup>®</sup> MAGNALatch<sup>®</sup> SIDE PULL

## The original, versatile magnetic latch

- Small & unobtrusive - easy to install
- Lockable and non-lockable models
- Model for round-post-to-glass gates
- Vertical & horizontal adjustment
- New, snap-fit dress caps - no visible fasteners
- Will not rust or corrode



CODE	MODEL - FEATURE	IDEAL GAP	GAP VARIANCE
MLSPS2L	Key Lockable Side Pull	3/8" (10mm)	5/16"-11/16" (7-17mm)
MLSPS2	Side Pull	3/8" (10mm)	5/16"-11/16" (7-17mm)
<b>APPLICATION</b>			
MLSPS2LGHK	Lockable Glass Kit	Fits 5/16"-3/8" (8-10mm) glass	
MLSPS2GHK	Glass Kit	Fits 5/16"-3/8" (8-10mm) glass	



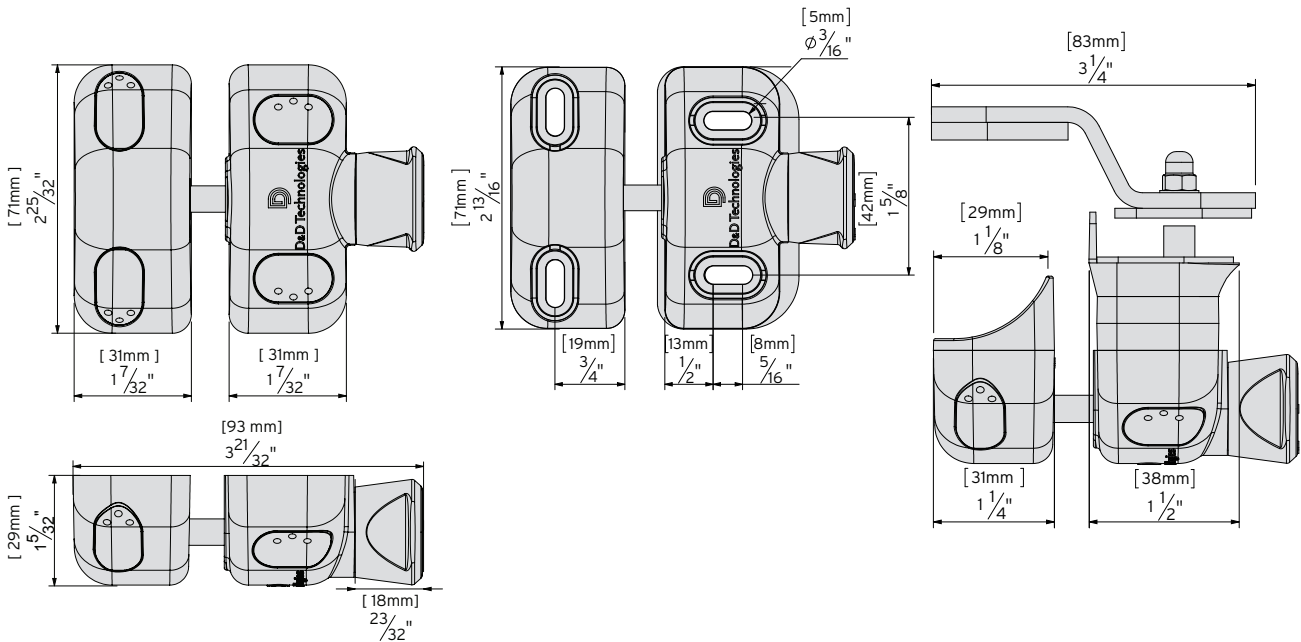
Side Pull: non-lockable



Glass and round post



Gate-stop anti-slam device

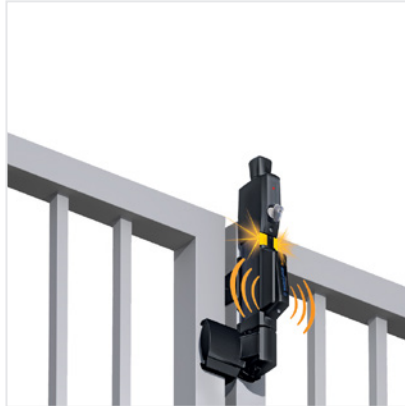


## Safety Gate Latch with ELECTRONIC ALARMS

ALERT Top Pull



ALERT Vertical Pull



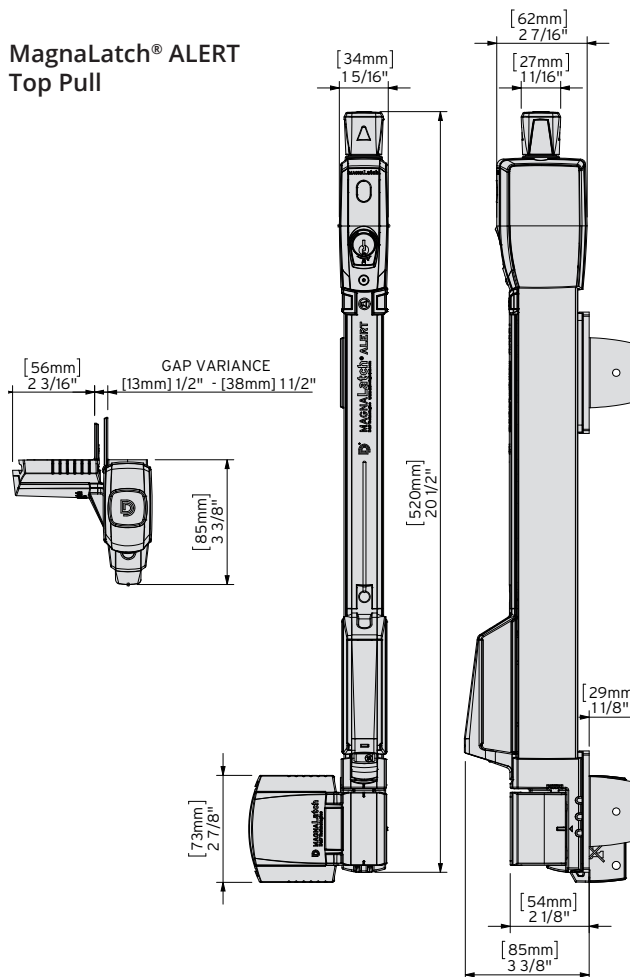
Replacements/Spares



CODE	COLOR	MODEL FEATURE	IDEAL GAP	GAP VARIANCE
ML3ATP	Black	Top Pull 6-Pin Lock - Keyed Alike + Alarm	¾" (19mm)	½"-1½" (13-38mm)
ML3AVP	Black	Vertical Pull 6-Pin Lock - Keyed Alike + Alarm	¾" (19mm)	½"-1½" (13-38mm)
ML3SPACER	Black	Gate Gap Spacer	2" (50mm)	-

CODE	MODEL FEATURE
ML3ASB	Replacement 3.6 volt AA Battery
ML3SKLA	Replacement Lockwood Key (AU-NZ)
ML3SKKA	Replacement KwikSet Key (US)

MagnaLatch® ALERT Top Pull

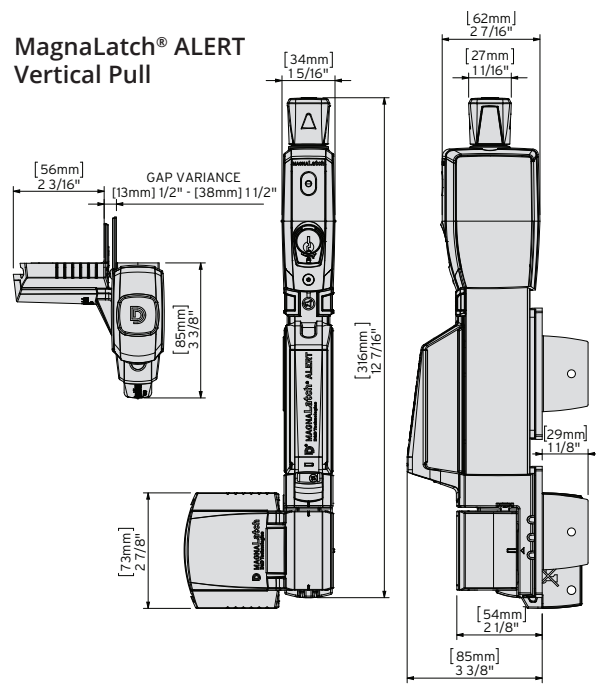


Gate gap spacer



MagnaLatch® comes standard with a gate gap variance of ½"-1½" (13-38mm). For larger gaps of up to 2" (50mm), an optional spacer is available (see left). Install the spacer behind the Striker Mounting Plate to ensure proper latch installation and operation. 2" Gate Gap Spacer fits MagnaLatch Series 2, 3 and ALERT models.

MagnaLatch® ALERT Vertical Pull



MagnaLatch® ALERT

**LIFETIME**  
WARRANTY

2-YEAR WARRANTY ON ALARM UNIT



## The ultimate gate protection

- World's ONLY safety gate latch with built-in electronic alarms
- Visual and audible alarms (flashing LEDs & sound alert)
- No wiring or electricians required
- Single alert beep each time gate is entered/exited
- Alarms notify if gate is open or not securely latched
- Full alarm mode only if gate left open 15+ seconds
- Optional: Touch-sensor disarm feature
- Long-life lithium battery included
- IP55 rating – tested to withstand dust and water in mechanism



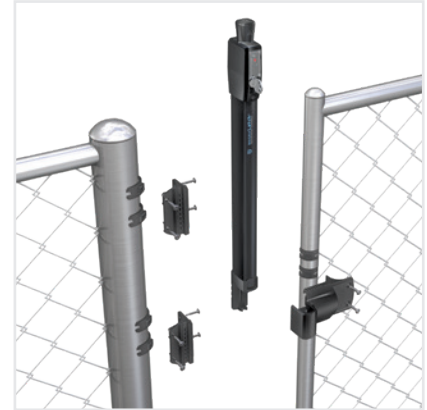
## The Original Magnetic Child Safety gate latch



ML3TP Series 3 Top Pull



ML3VP Series 3 Vertical Pull

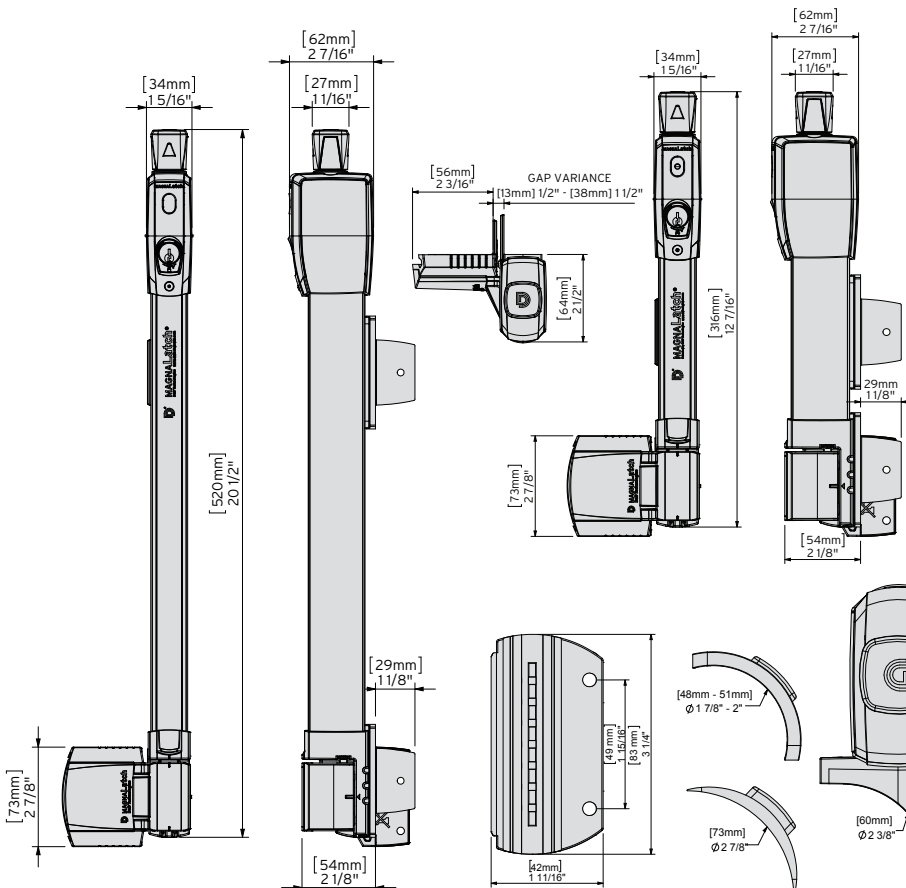


ML3RPK Round-Post Adaptor Kit

CODE	COLOR	MODEL FEATURE	IDEAL GAP	GAP VARIANCE
ML3TP	Black	Top Pull: 6-Pin Lock - Keyed Alike	¾" (19mm)	½"-1½" (13-38mm)
ML3TPKAWT	White	Top Pull: KwikSet - Keyed Alike	¾" (19mm)	½"-1½" (13-38mm)
ML3VP	Black	Vertical Pull: 6-Pin Lock - Keyed Alike	¾" (19mm)	½"-1½" (13-38mm)
ML3VPKAWT	White	Vertical Pull: 6-Pin Lock - Keyed Alike	¾" (19mm)	½"-1½" (13-38mm)
ML3RPK	Black	ML3 Round-Post Adaptor Kit	1½" (38mm)	1¼"-2¼" (32-57mm)
ML3SPACER	Black	Gate Gap Spacer	2" (50mm)	-

MagnaLatch® S3 Top Pull

MagnaLatch® S3 Vertical Pull



CODE	MODEL FEATURE
ML3SKLA	Replacement Lockwood Key (AU-NZ)
ML3SKKA	Replacement KwikSet Key (US)

MagnaLatch® comes standard with a gate gap variance of ½"-1½" (13-38mm). For larger gaps of up to 2" (50mm), an optional spacer is available. Install the spacer behind the Striker Mounting Plate to ensure proper latch installation and operation. 2" Gate Gap Spacer fits MagnaLatch Series 2, 3 and ALERT models.

### MagnaLatch® S3 Round-Post Adaptor

An optional kit for mounting all MagnaLatch 'Top Pull' or 'Vertical Pull' models to gates and fences with round posts.



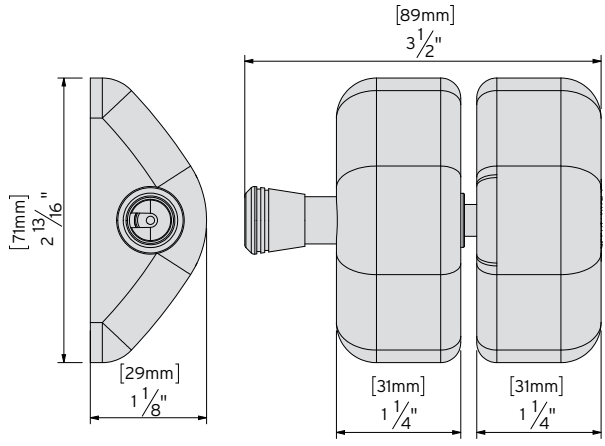
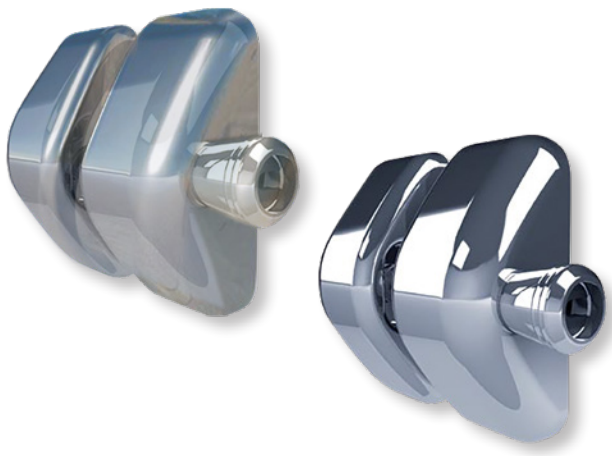
## Industry leading safety features

- The world's most trusted safety gate latch
- Ideal for residential or commercial safety gates
- Improved, stylish "Series 3" design
- Industry leading magnetic latching technology
- Visual indicator provides Locked/Unlocked status
- 6-pin lock for higher security (rekeyable)
- Vertical and horizontal adjustment
- Alignment marks indicate when adjustment is required



**Stainless steel Side Pull latch**

- Reliable magnetic latching
- 316 marine-grade stainless steel
- Corrosion-resistant latch bolt
- No visible fasteners (blind fixing from rear)
- Polished or Brushed surface finishes



Vizage™ stainless steel gates latches are non-locking

CODE	FINISH	IDEAL GATE GAP
MLSPS2VPSS	Polished Stainless Steel	5/16" (8mm)
MLSPS2VBSS	Brushed Stainless Steel	5/16" (8mm)

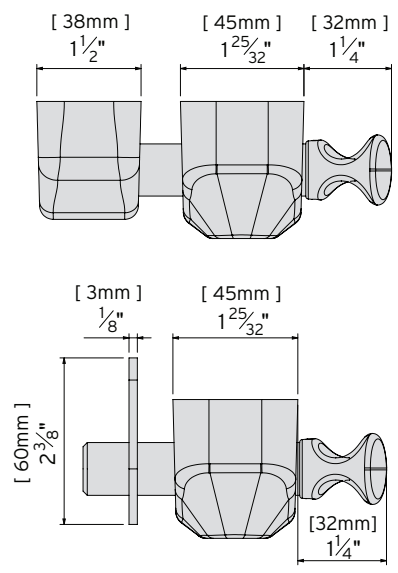
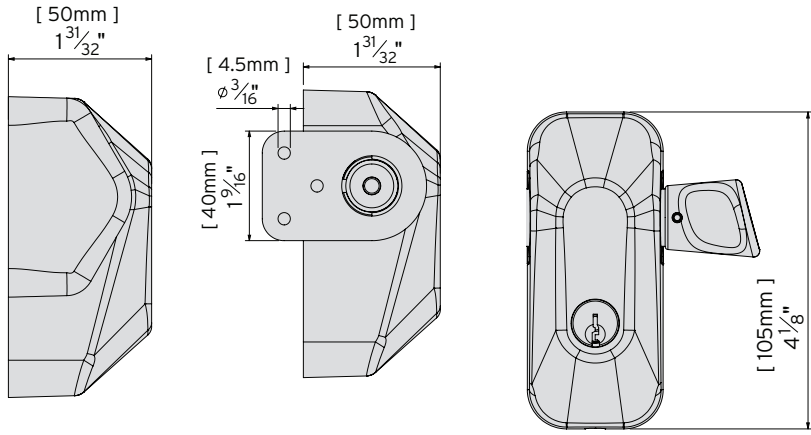


**Powerful locking security latch**

- High-quality, high-security lock
- 316 marine-grade stainless steel quality
- Won't rust, corrode or stain
- Resistant to tampering and hacksawing
- Fits left-handed and right-handed doors & gates



CODE	MODEL	FINISH	GATE MATERIAL	IDEAL GAP
FPBSSFM-L	Face Mount	Chrome	Metal, Wood	1/4" (6mm)
FPBSSSM-L	Side Mount	Chrome	Metal, Wood	1/4" (6mm)



# World's first key lockable, polymer gravity latch



## Easy Installation

Requires only one drilled hole through post. Fast and accurate front and side installation, with templates provided.

## Stainless Steel Components

316 marine-grade stainless steel components will totally resist rust or stains

## 6-Pin Rekeyable Lock

Can be rekeyed (by a locksmith) to match existing doors and other accesses.



## Molded Latch Body

Strong and rust-free. Constructed from UV-stabilized, industrial-strength polymer.

## External Access Button

The LokkLatch<sup>®</sup> range can be opened from either side of the gate using an External Access Kit (EAK)

## Vertical Adjustment

Latch provides quick and simple vertical adjustment to allow for gate sag or ground movement over time.



LOKKLATCH<sup>®</sup> MAGNETIC



LOKKLATCH<sup>®</sup> DELUXE



LOKKLATCH<sup>®</sup> PLUS



LOKKLATCH<sup>®</sup>



LOKKLATCH<sup>®</sup> PRO.SL

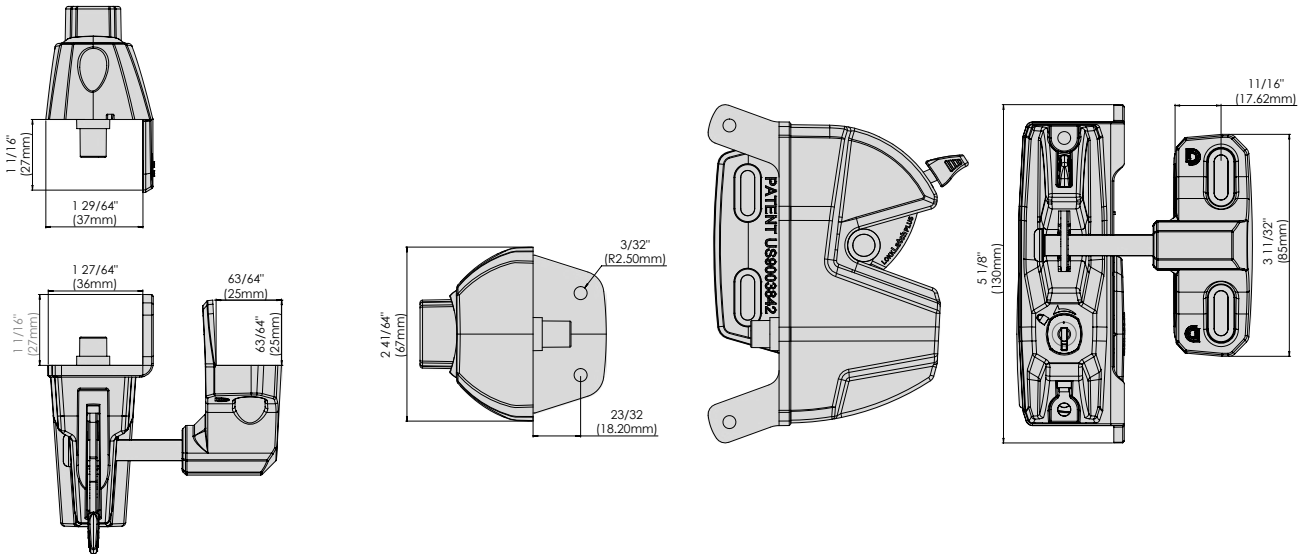


**Privacy Gate Latch**

- Operates & locks from both sides of gate
- Innovative alignment jig for easy installation
- Requires only one drilled hole through post
- Includes 5 & 6" (125 & 150mm) connector rods
- Keyed-different: 200 key combinations
- Vertically and horizontally adjustable
- Will not rust, bind or stain
- Industrial-strength polymer construction
- 316 marine-grade stainless components
- Fits fence posts 1" - 6" (25-150mm) deep



CODE	COLOR	KEYED	GATE MATERIAL	IDEAL GAP	GAP VARIANCE
LL3PWD	Black	Different	Metal, Wood, Vinyl	3/4" (19mm)	3/8" - 13/8" (10-35mm)
LL3PWA	Black	Alike	Metal, Wood, Vinyl	3/4" (19mm)	3/8" - 13/8" (10-35mm)
LL3PWAWT	White	Alike	Metal, Wood, Vinyl	3/4" (19mm)	3/8" - 13/8" (10-35mm)

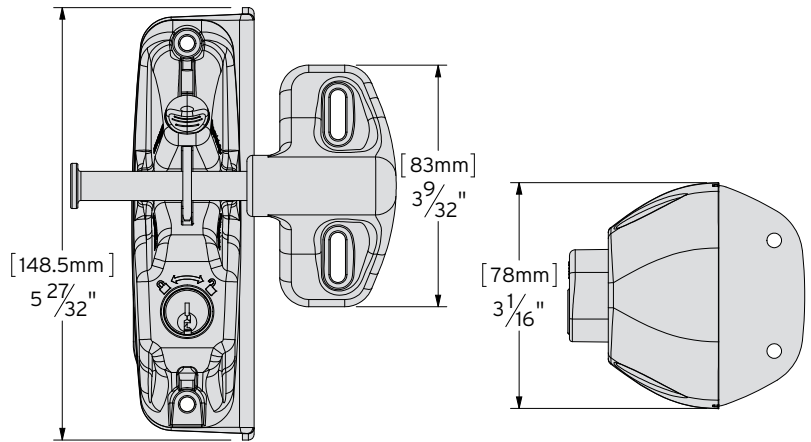
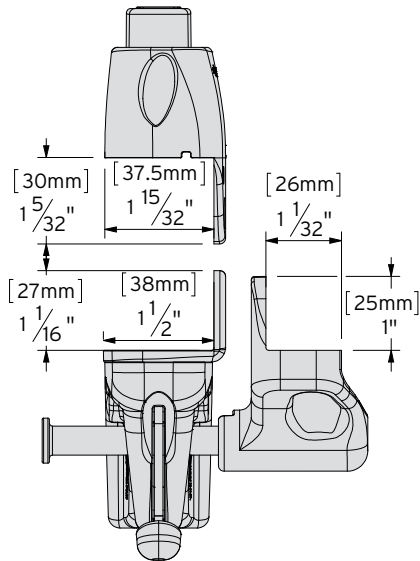


**PREMIUM Privacy and Security Gate Latch**

- Operates & locks from both sides of gate
- Ideal for residential and heavy-duty gates
- Dual 6-pin locks (can be rekeyed)
- Keyed-alike or keyed different options
- Requires only one drilled hole through post
- Includes 5 & 6" (125 & 150mm) connector rods
- Vertically & horizontally adjustable
- Industrial-strength polymer construction
- 316 marine-grade stainless components
- Fits fence posts 1½" - 6" (38-150mm) deep



CODE	COLOR	KEYED	GATE MATERIAL	IDEAL GAP	GAP VARIANCE
LLDAB	Black	Different	Metal, Wood, Vinyl	1" (25mm)	5/8"-1½" (16-38mm)
LLDAB-A	Black	Alike	Metal, Wood, Vinyl	1" (25mm)	5/8"-1½" (16-38mm)
LLDABW	White	Different	Metal, Wood, Vinyl	1" (25mm)	5/8"-1½" (16-38mm)
LLDABW-A	White	Alike	Metal, Wood, Vinyl	1" (25mm)	5/8"-1½" (16-38mm)





### General-Purpose, Lockable Latch

- Key lockable - no need for padlock
- Optional External Access (Push-Button) Kit allows operation from both sides of gate
- Quick and easy to install and adjust
- Won't rust or corrode
- Round-post model fits most chainlink gates
- Industrial-strength polymer construction

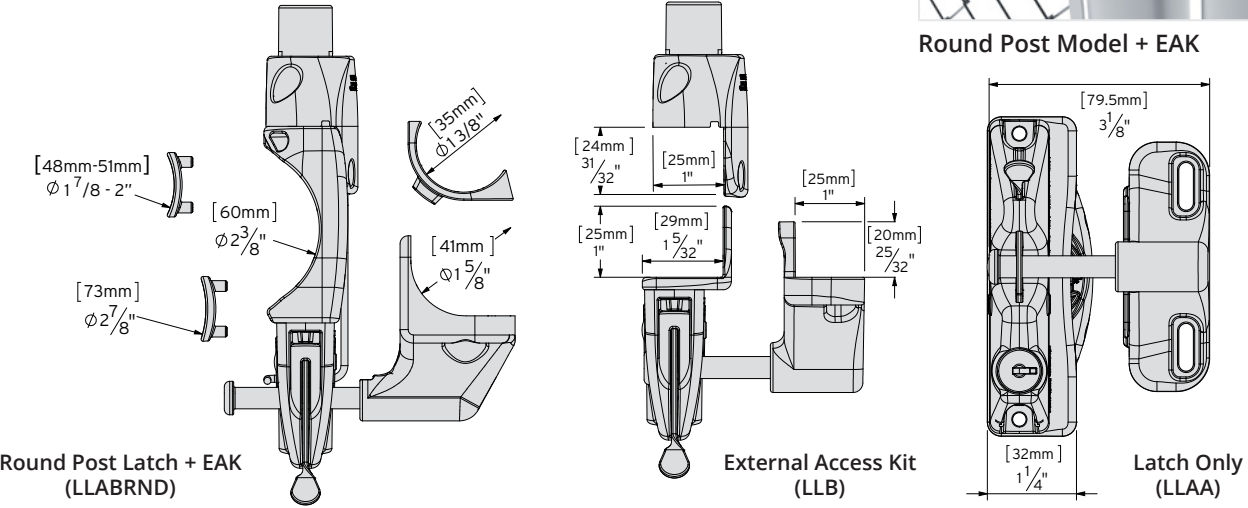
#### External Access (Push-Button) Kit



CODE	FEATURE	COLOR	GATE MATERIAL	IDEAL GAP	GAP VARIANCE
LLAA	Latch only	Black, White	Metal, Wood, Vinyl	3/4" (19mm)	3/8"-1 1/4" (10-32mm)
LLB	EAK only	Black, White	Metal, Wood, Vinyl	-	-
LLAAB	Latch + EAK	Black, White	Metal, Wood, Vinyl	3/4" (19mm)	3/8"-1 1/4" (10-32mm)
LLABRND	Round Post Latch + EAK	Black	Chainlink	1 1/2 (38mm)	1 1/4"-2 1/4" (32-57mm)



Round Post Model + EAK



**LOKKLATCH® PRO.SL**

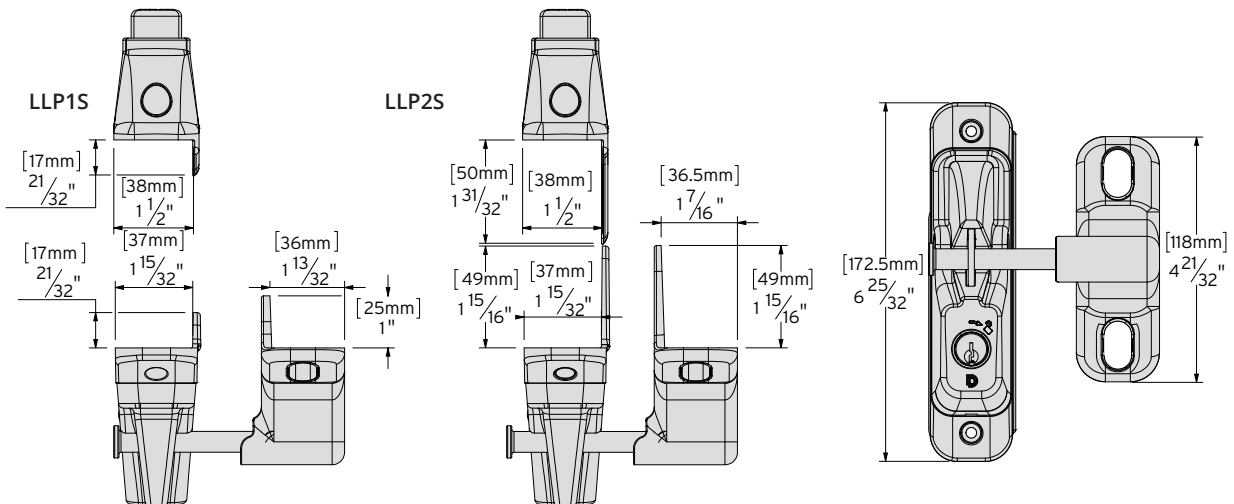
**Self-Locking Security Latch**

- Automatically locks when gate closes
- Requires key to enter and exit
- Operates from both sides of gate
- Dual 6-pin rekeyable locks
- Fits fence posts up to 6" (150mm) deep
- Vertically & horizontally adjustable
- Industrial-strength polymer construction
- 316 marine grade stainless components



All models have side-fixing legs, with vinyl models having extended side-fixing legs

CODE	COLOR	KEYED	GATE MATERIAL	IDEAL GATE GAP	GAP VARIANCE
LLP1S	Black, White	Different	Metal, Wood	3/4" (19mm)	1/2"-1 1/2" (13-38mm)
LLP1S-SA	Black	Alike	Metal, Wood	3/4" (19mm)	1/2"-1 1/2" (13-38mm)
LLP2S	Black	Different	Vinyl	3/4" (19mm)	1/2"-1 1/2" (13-38mm)
LLP2S-SA	Black	Alike	Vinyl	3/4" (19mm)	1/2"-1 1/2" (13-38mm)





## Padlockable Gravity Gate Latch

- Toggle-action design compensates for gate sag
- Fits to all square posts & gate frames
- Adjusts vertically and horizontally
- Padlockable, with padlock storage feature
- Industrial-strength polymer construction
- Stainless steel toggle/latch bolt
- Ideal for gates with ground movement



Padlock storage feature.  
Padlock not included.

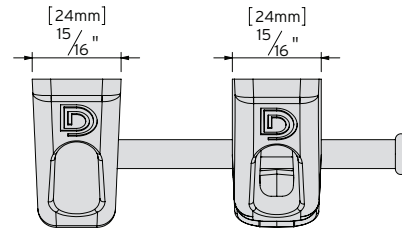
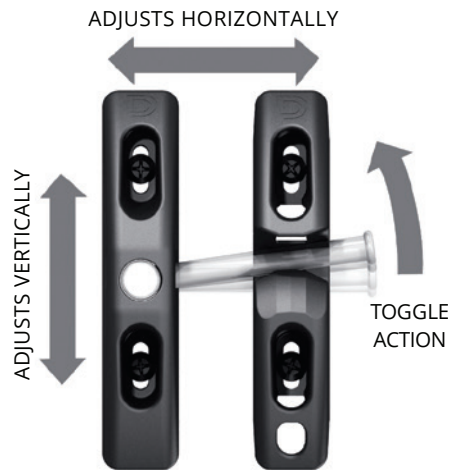
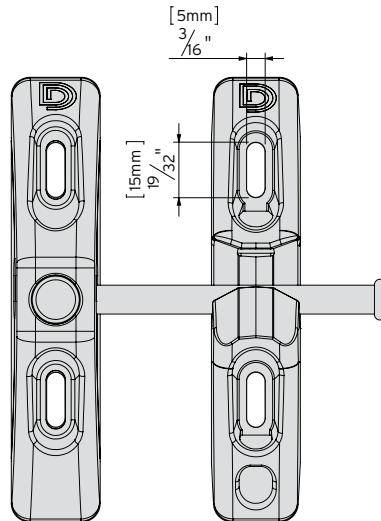
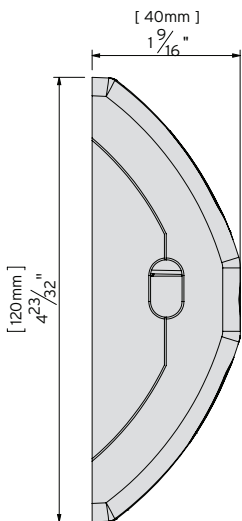
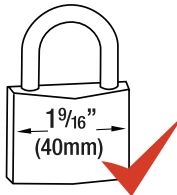


Padlock security

CODE	COLOR	FEATURE	GATE MATERIAL	IDEAL GAP	GAP VARIANCE
TL01	Black	Padlockable latch	Metal/wood	1" (25mm)	3/8"-1 3/4" (10-44mm)

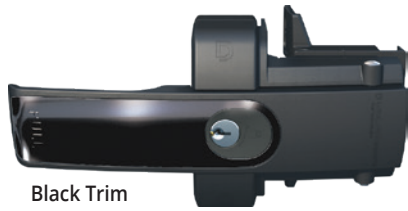


**PADLOCK NOT INCLUDED**  
Recommended padlock:  
Fits most standard shackle  
1 9/16" (40mm) padlocks

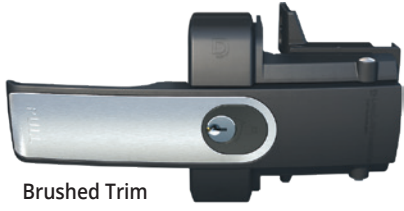




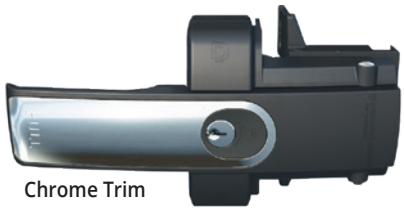
**Lockable, dual-sided Push/Pull Handle**



Black Trim



Brushed Trim



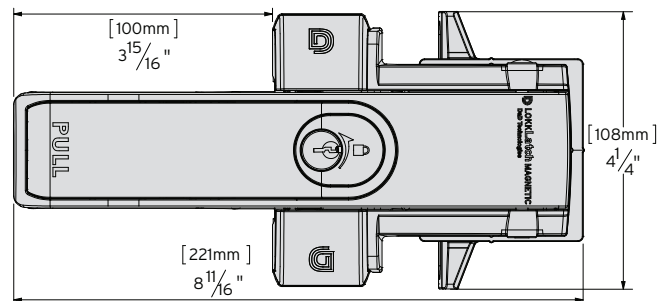
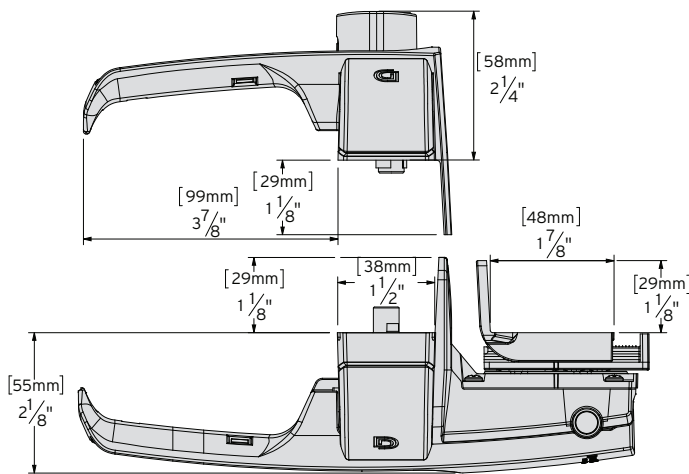
Chrome Trim



CODE	COLOR	TRIM FINISH	IDEAL GAP	GAP VARIANCE
LLM*BT	Black	Black	¾" (19mm)	⅝"-1¼" (10-32mm)
LLM*CT	Black	Chrome	¾" (19mm)	⅝"-1¼" (10-32mm)
LLM*ST	Black	Brushed	¾" (19mm)	⅝"-1¼" (10-32mm)



- Operates and locks from both sides of gate
- Ergonomic Push/Pull handled design
- Requires only one drilled hole through post
- Proven magnetic latching technology
- Black trim covers included (metallic options)
- No visible fasteners
- Keyed-alike or keyed different options
- Dual 6-pin rekeyable locks
- Vertical & horizontal adjustment
- Fits fence posts 1½"-6" (38-150mm) deep





# The world's most trusted safety gate hinges



### Patented Tension Adjustment

Quick and easy tension adjustment (closing force) using a large screwdriver at either end of hinge barrel.

### Molded Hinge Body

No rust, binding, sagging or staining! Constructed from UV-stabilized, industrial-strength polymer.

### Internal Stainless Steel Spring

High-quality, stainless steel spring provides reliable closure and lasting performance.

### Reinforcing Ribs

Molded ribs provide superior torsional and lateral leaf strength.

### Optional Alignment Legs

Models with and without quick-fit alignment legs for fast, convenient installation and added fixing strength.

### Concealed Fasteners

Clip-on leaf trim covers hide the fasteners to provide a clean, contemporary finish and enhance gate style.



### Trim Cover Options

Leaf trim cover options include standard Gloss Black or Metallic Chrome or Brushed look



	PRODUCT CODE	TRIM COVER OPTIONS	GATE MATERIAL	IDEAL GATE GAP	GAP VARIANCE	MAXIMUM SELF-CLOSING WEIGHT*	ALIGNMENT LEGS
TRUCLOSE REGULAR RANGE	TCA1S3	Gloss Black, Brushed, Chrome, White	Metal	3/4" 19mm	3/8"-7/8" 9-22mm	66 lb 30kg	Optional
	TCA2S3	Gloss Black, Chrome, Brushed,	Metal to Wood	3/4" 19mm	3/8"-7/8" 9-22mm	66 lb 30kg	Optional
	TCA3S3	Gloss Black, Chrome, Brushed, White	Wood, Vinyl	3/4" 19mm	3/8"-7/8" 9-22mm	66 lb 30kg	Optional
	TCA4	NA	Wood	3/4" 19mm	3/8"-7/8" 8-22mm	55 lb 25kg	No
	TCAV1	Polished, Brushed	Round post to Glass	3/4" 19mm	7/8"-1 1/2" 22-38mm	55 lb 25kg	Yes
	TCAMA1/2	NA	Metal, Wood, Vinyl	1 3/8" 35mm	7/8"-2" 22-50mm	55 lb 25kg	Yes
TRUCLOSE HEAVY DUTY RANGE	TCAMA2RND	NA	Chainlink	1 3/8" 35mm	7/8"-2" 22-50mm	55 lb 25kg	Yes
	TCHD1AS3	Gloss Black, Chrome, Brushed, White	Metal	3/4" 19mm	3/8"-1" 9-25mm	154 lb 70kg	Optional
	TCHD1S3	Gloss Black, Chrome, Brushed	Metal, Wood, Vinyl	3/4" 19mm	3/8"-1" 9-25mm	154 lb 70kg	Optional
	TCHD2L1SS3	Gloss Black, Chrome, Brushed, White	Wood, Vinyl	3/4" 19mm	3/8"-1" 9-25mm	154 lb 70kg	Yes
	TCHD2L2S3	Gloss Black, Chrome, Brushed, White	Wood, Vinyl	Fixed 13/16" (21mm)	Fixed at 13/16" 21mm	154 lb 70kg	Yes
	TCHDMA1	NA	Metal, Wood, Vinyl	1" 25mm	5/8"-1 3/8" 16-35mm	132 lb 60kg	Yes
TCHDRND1&2	NA	Chainlink	1" 25mm	3/4"-1 3/8" 19-35mm	132 lb 60kg	Yes	

\*Ratings are based upon two hinges on a maximum gate size of:  
 Regular hinges: 5'H x 3'W (1500mmH x 900mmW) Heavy Duty hinges: 6'H x 4'W (1800mmH x 1200mmW)

**Adjustable, Self-Closing Hinges for gates up to 66 lb (30kg)**



TCA1S3 - METAL



TCA2S3 - METAL/WOOD/VINYL



TCA3S3 - WOOD/VINYL



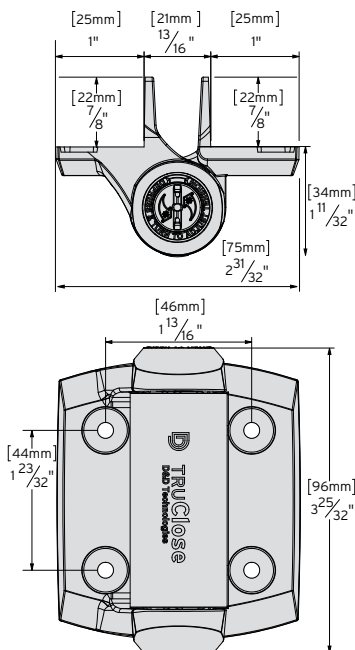
**TruClose<sup>®</sup>  
Hinge Safety Cap**

Optional. Helps prevent toddlers from using bottom hinge as a climbing foothold.

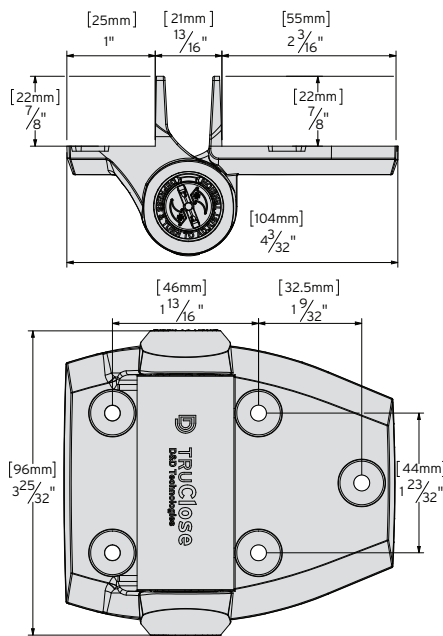
CODE: TCACAPS3

- Ideal for pool and child safety gate applications
- D&D-patented tension adjustment
- Won't rust, bind, sag or stain
- Adjust tension from either end (adjustment always facing up)
- UV-stabilized, industrial-strength polymer construction
- Self-lubricating durability; requires no maintenance
- Internal stainless steel closing spring
- Trim cover options - Gloss Black, White, Brushed or Chrome
- Hinges sold as pairs; hinge caps as single units

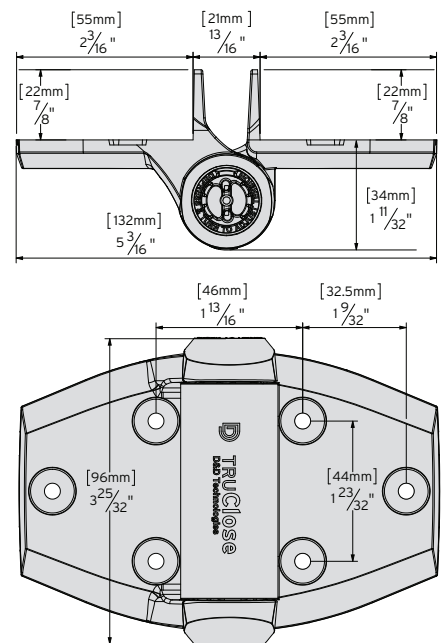
TCA1S3



TCA2S3



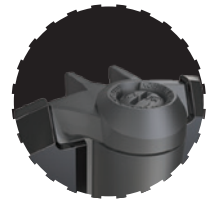
TCA3S3





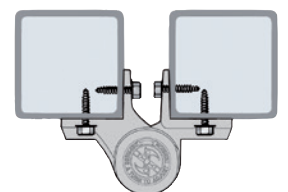
TCA1S3

CODE	TRIM FINISH	GATE MATERIAL	SIDE LEGS	IDEAL GATE GAP	GAP VARIANCE
TCA1S3BT	Gloss Black	Metal	-	3/4" (19mm)	3/8" - 7/8" (9-22mm)
TCA1S3CT	Chrome	Metal	-	3/4" (19mm)	3/8" - 7/8" (9-22mm)
TCA1S3ST	Brushed	Metal	-	3/4" (19mm)	3/8" - 7/8" (9-22mm)
TCA1S3WT	White	Metal	-	3/4" (19mm)	3/8" - 7/8" (9-22mm)
TCA1L2S3BT	Gloss Black	Metal	2 Legs	Fixed at 13/16" (21mm)	-
TCA1L2S3CT	Chrome	Metal	2 Legs	Fixed at 13/16" (21mm)	-
TCA1L2S3ST	Brushed	Metal	2 Legs	Fixed at 13/16" (21mm)	-
TCA1L2S3WT	White	Metal	2 Legs	Fixed at 13/16" (21mm)	-
TCA2S3BT	Gloss Black	Metal/Wood	-	3/4" (19mm)	3/8" - 7/8" (9-22mm)
TCA2L2S3BT	Gloss Black	Metal/Wood	2 Legs	Fixed at 13/16" (21mm)	-
TCA3S3BT	Gloss Black	Vinyl/Wood	-	3/4" (19mm)	3/8" - 7/8" (9-22mm)
TCA3L2S3BT	Gloss Black	Vinyl/Wood	2 Legs	Fixed at 13/16" (21mm)	-
TCA3L2S3WT	White	Vinyl/Wood	2 Legs	Fixed at 13/16" (21mm)	-
TCACAPS3	Gloss Black	Safety Cap	-	-	-



## ALIGNMENT LEGS

("L2" models):  
Quick-fit alignment legs for fast-align installation and added fixing strength. Two legs provide secure, double-face fixing.



**Adjustable, Self-Closing Hinges for heavy/high-traffic gates up to 154 lb (70kg)**



TCHD1A53 - METAL



TCHD1S3 - METAL/VINYL/WOOD



TCHD2L2S3 - VINYL/WOOD

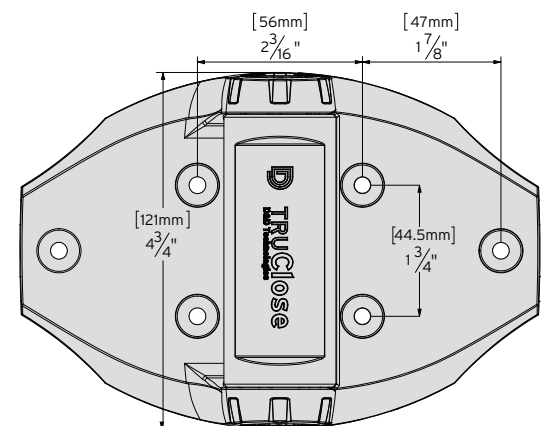
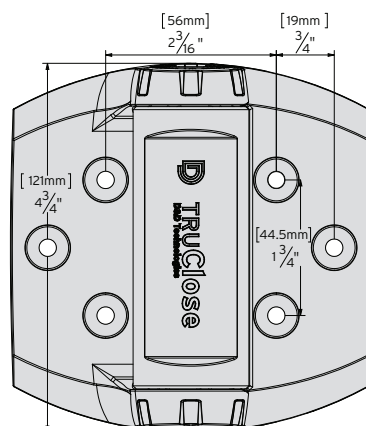
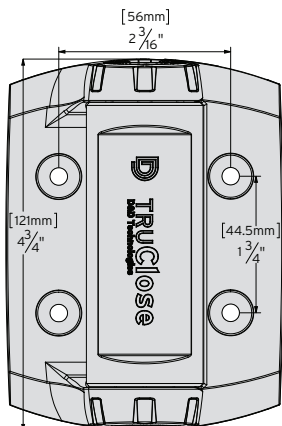
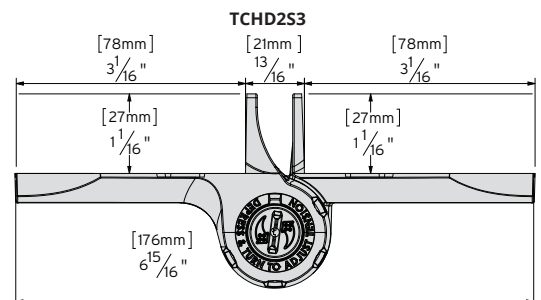
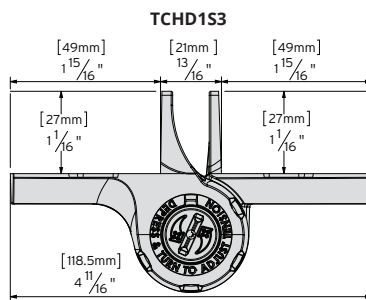
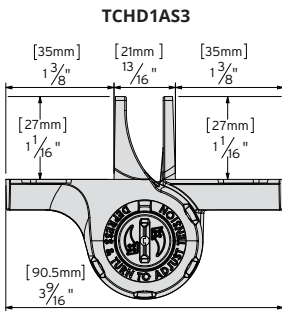


**TruClose<sup>®</sup>  
Hinge Safety Cap**

Optional use. Helps prevent toddlers from using bottom hinge as a climbing foothold.

CODE: TCHDCAPS3

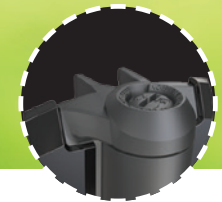
- Suitable for use on pool and child safety gate applications
- D&D-patented tension adjustment
- Won't rust, bind, sag or stain
- Adjust tension from either end (adjustment always facing up)
- UV-stabilized, industrial-strength polymer construction
- Self-lubricating durability; requires no maintenance
- Internal stainless steel closing spring
- Trim cover options - Gloss Black, White, Brushed or Chrome
- Hinges sold as pairs, hinge caps as single units





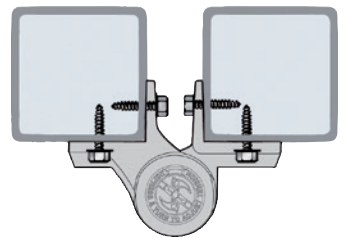
TCHD1AS3

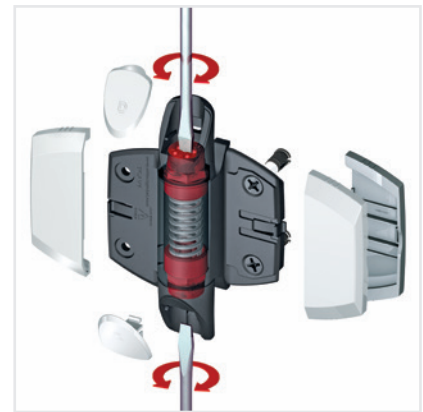
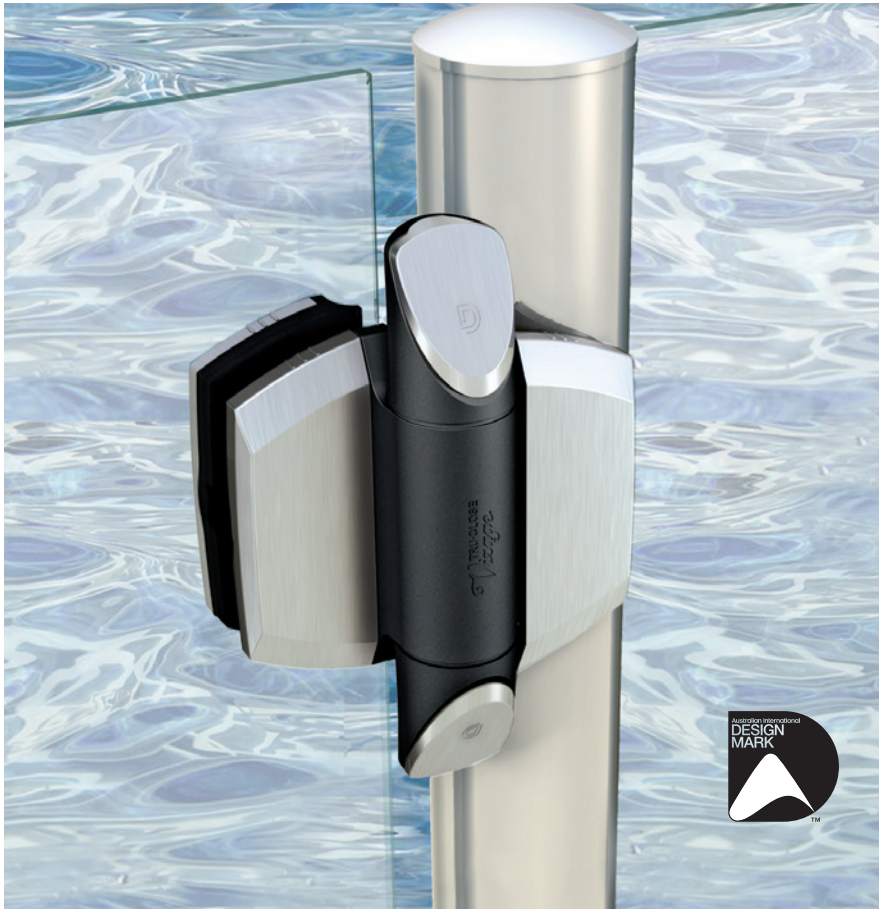
CODE	TRIM FINISH	GATE MATERIAL	SIDE LEGS	IDEAL GATE GAP	GAP VARIANCE
TCHD1AS3BT	Black	Metal	-	3/4" (19mm)	3/8"-1" (9-25mm)
TCHD1AS3CT	Chrome	Metal	-	3/4" (19mm)	3/8"-1" (9-25mm)
TCHD1AS3ST	Brushed	Metal	-	3/4" (19mm)	3/8"-1" (9-25mm)
TCHD1AS3WT	White	Metal	-	3/4" (19mm)	3/8"-1" (9-25mm)
TCHD1AL1S3BT	Black	Metal	1 Leg	3/4" (19mm)	3/8"-1" (9-25mm)
TCHD1AL2S3CT	Chrome	Metal	2 Legs	Fixed at 13/16" (21mm)	-
TCHD1AL2S3ST	Brushed	Metal	2 Legs	Fixed at 13/16" (21mm)	-
TCHD1AL2S3WT	White	Metal	2 Legs	Fixed at 13/16" (21mm)	-
TCHD1AL2S3BT	Black	Metal	2 Legs	Fixed at 13/16" (21mm)	-
TCHD1S3BT	Black	Metal/Wood/Vinyl	-	3/4" (19mm)	3/8"-1" (9-25mm)
TCHD1L2S3BT	Black	Metal/Wood/Vinyl	2 Legs	Fixed at 13/16" (21mm)	-
TCHD2L1SS3BT	Black	Vinyl/Wood	1 Leg	3/4" (19mm)	3/8"-1" (9-25mm)
TCHD2L2S3BT	Black	Vinyl/Wood	2 Legs	Fixed at 13/16" (21mm)	-
TCHDCAPS3	Black	Safety Cap	-	-	-



## ALIGNMENT LEGS

("L2 & L1" models):  
Quick-fit alignment legs for fast-align installation and added fixing strength. Two legs provide secure, double-face fixing.



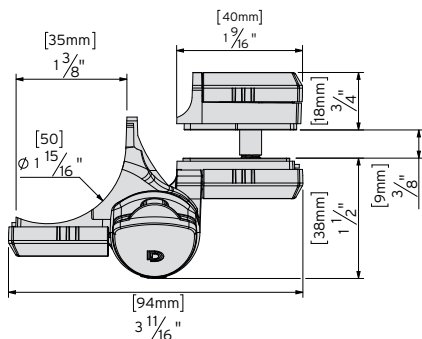


**D<sup>®</sup> TRUClose<sup>®</sup> VIZAGE<sup>®</sup>**

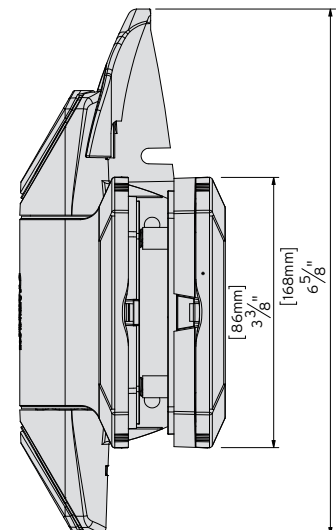
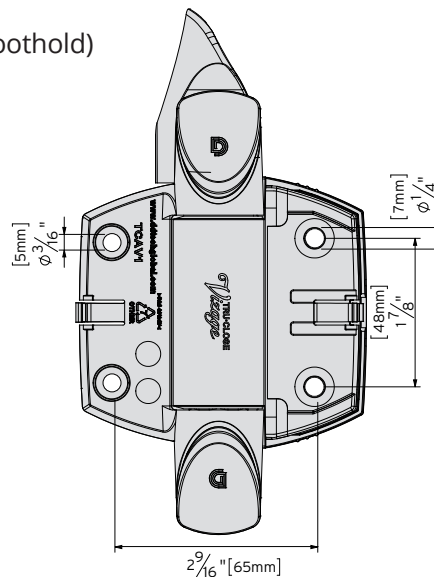
**Gate Hinge for round post to glass gates**

- Suitable for pool and child safety gate applications
- Self-closes glass gates up to 55 lb (25kg)
- Fits 2" (50mm) round post to 5/16" or 3/8" (8 or 10mm) glass thickness
- No visible fasteners – decorative trim covers in Polished or Brushed Stainless
- Industrial-strength polymer construction, won't rust, bind, sag or stain
- Stainless steel closing spring
- 60° safety ramp on both ends (no toddler foothold)

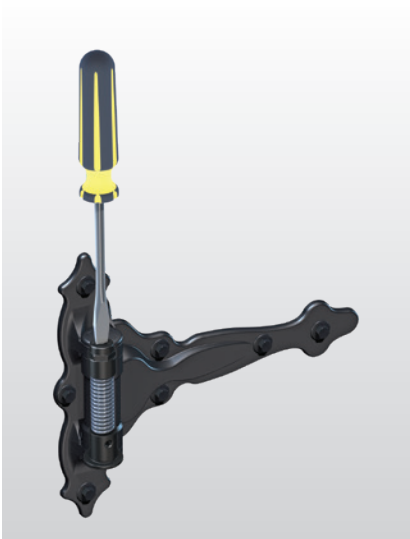
CODE	APPLICATION	IDEAL GATE GAP	FINISH - TRIM
TCAV1-BSS	5/16"–3/8" (8-10mm) glass	3/4" (19mm)	Brushed
TCAV1-PSS	5/16"–3/8" (8-10mm) glass	3/4" (19mm)	Polished



Fits 2" (50mm) round posts to frameless glass gates.



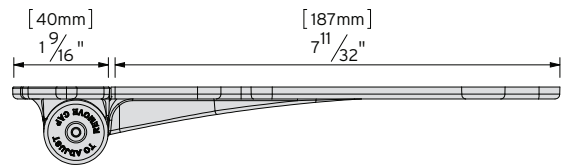
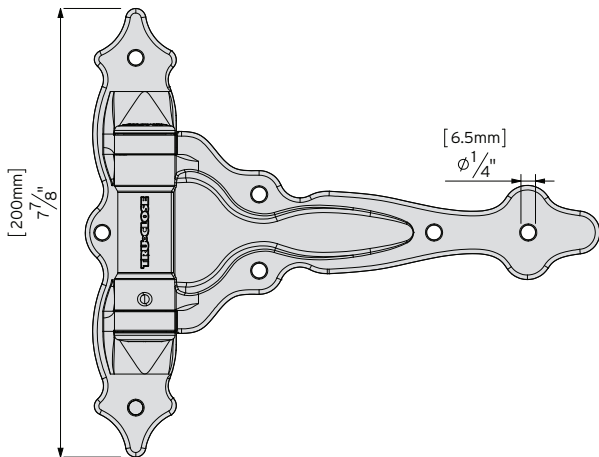




### Decorative, Self-Closing T-Hinge for Wood Gates

- Self-close gates up to 55 lb (25kg)
- Won't rust, bind, sag or stain
- UV stabilized, industrial-strength polymer construction
- Stainless steel internal spring
- Molded rib through the center for added strength
- Fasteners included

CODE	GATE MATERIAL	IDEAL GATE GAP	GAP VARIANCE	COLOR
TCA4	Wood	3/4" (19mm)	1/4"-7/8" (6-22mm)	Black



# D® TRUClose® ROUND

## Self-Closing Hinges for round-post applications

- D&D-patented tension adjustment
- Self-closes gates up to 132 lb (60kg)
- UV stabilized, industrial-strength polymer construction
- Fits to many common post diameters
- Internal stainless steel spring and components
- Fasteners included

CODE	COLOR	GATE MATERIAL	IDEAL GAP	GAP VARIANCE
TCHDRND1-MK2	Black	Chainlink	1" (25mm)	¾"-1¾" (19-35mm)*
Gate diameters: 1¾" & 1½" (35 & 41mm) Post diameters: 1½", 2¾" & 2½" (48, 60 & 73mm)				
TCHDRND2-MK2	Black	Chainlink	1" (25mm)	¾"-1¾" (19-35mm)*
Gate diameters: 1½" (48mm) Post diameters: 1½" & 2¾" (48 & 73mm)				

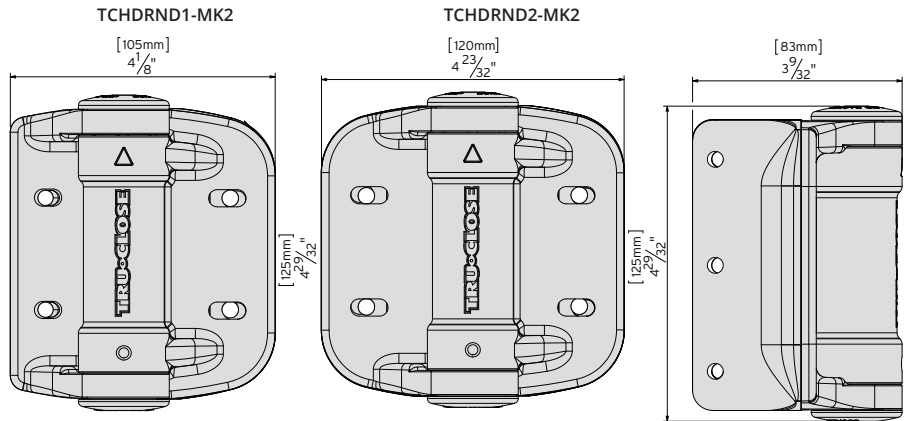
\* Gap variance is dependent on diameters of fence post and gate frame.



TCHDRND1-MK2



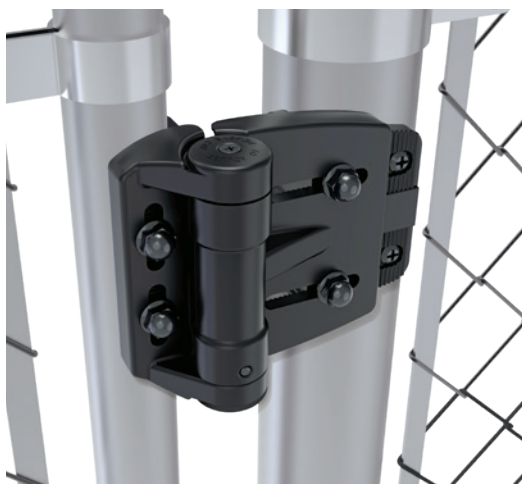
TCHDRND2-MK2



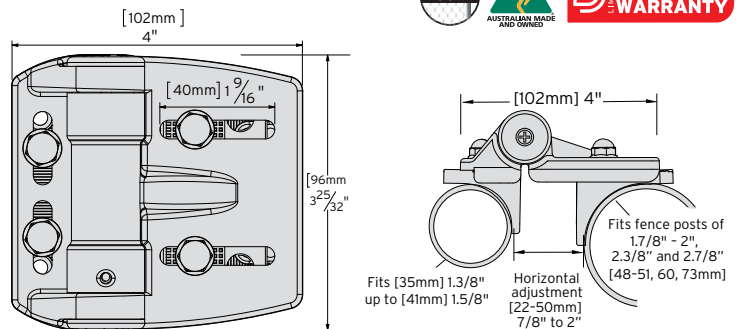
# D® MULTIADJUST™ ROUND

## Wide-Adjustment Gate Hinges for round-posts

CODE	GATE MATERIAL	IDEAL GATE GAP	GAP VARIANCE	COLOR
TCAMA2RND	Chainlink	1¾" (35mm)	¾"-2" (22-50mm)	Black



For round gates TCAMA2RND



**Adjustable, Self-Closing Hinges for large gate gaps**

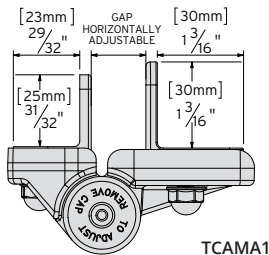
- 3-way adjustment: vertical, horizontal & tension
- Up to 3/4" (19mm) horizontal adjustment
- Fits gate gaps up to 2" (50mm)
- UV stabilized, industrial-strength polymer construction
- Internal stainless steel spring and components
- Regular models self-close gates up to 55lb (25kg)
- Heavy Duty model self-close gates up to 132lb (60kg)

CODE	GATE MATERIAL	IDEAL GATE GAP	GAP VARIANCE	COLOR
TCAMA1	Metal, Wood, Vinyl	1 1/8" (29mm)	7/8"-1 1/2" (22-38mm)	Black
TCAMA2	Metal, Wood, Vinyl	1 3/8" (35mm)	7/8"-2" (22-50mm)	Black
TCAMA2WT	Metal, Wood, Vinyl	1 3/8" (35mm)	7/8"-2" (22-50mm)	White
TCHDMA1	Wood, Vinyl	1" (25mm)	5/8"-1 3/8" (16-35mm)	Black
TCHDMA1WT	Wood, Vinyl	1" (25mm)	5/8"-1 3/8" (16-35mm)	White

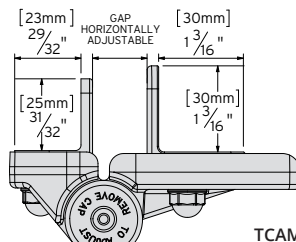


Regular TCAMA1

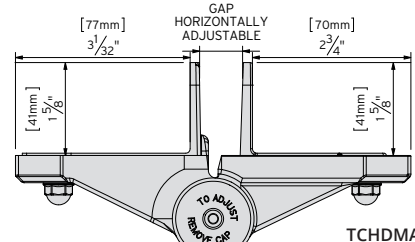
Heavy Duty TCHDMA1



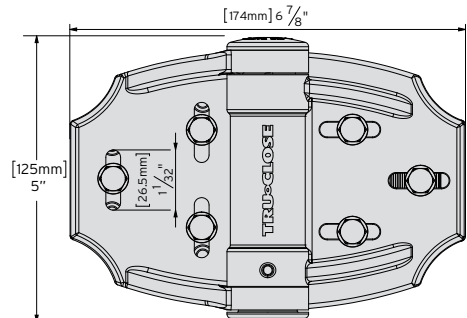
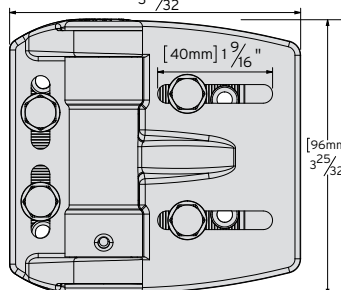
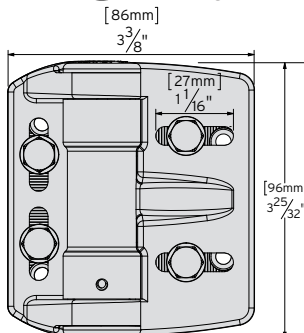
TCAMA1



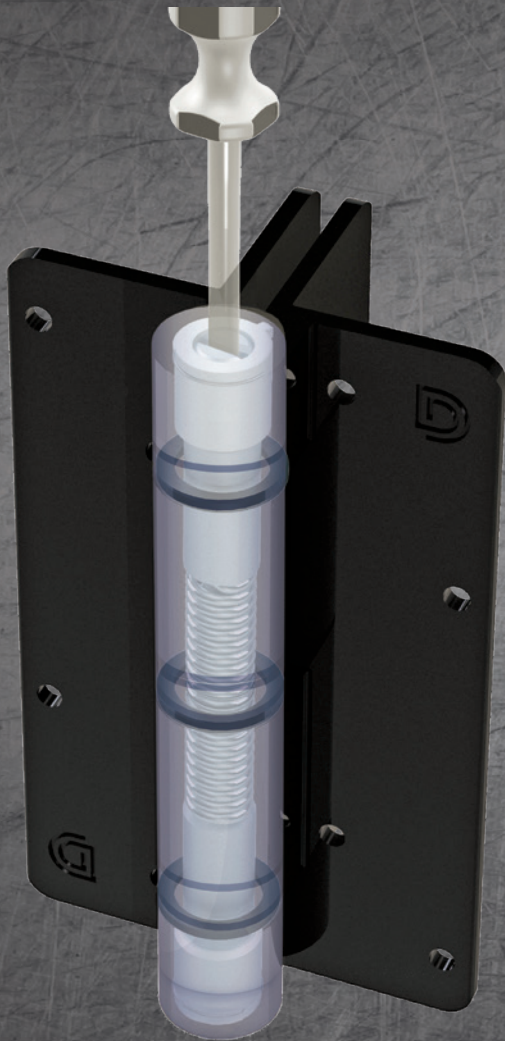
TCAMA2



TCHDMA1



# Traditionally styled, self-closing, aluminum gate hinges



### Patented Tension Adjustment

- Adjust tension from both ends (tension adjustment always facing up)
- 6 tension settings for finer adjustment (suit a range of metal gates)
- Single-handed tension adjustment (slot-head screwdriver)

### Polymer Pivot Design

Low-friction polymer pivot washers give long life & low maintenance

### Side Fixing Legs

For quick alignment during installation and added fixing strength

### Stainless Steel Spring

Internal torsion spring constructed of stainless steel to prevent binding and staining

### Versatile Installation

Suits left- or right-swinging gates

### Gate Weight

Self-closes gates up to 44lbs (20kg)

### 3 Finishes Available

Aluminum with powder-coat finish in Black, Bronze or white (KF3A1BL model only available in black)



KF3A



KF3A1BL



### 1" (25mm) Smaller Leaf Model

Now 10% smaller in size, designed to suit smaller post sizes, with a smaller leaf (only available in black)



# Aluminum & Polymer General-Purpose Hinges



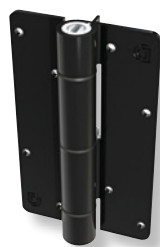
**KF3A1BL**

*Black (Gloss)*  
**1" (25mm) leaf width**  
 Mounts to post, or wall  
 if no post available



**KF3ABL**

*Black, White\* or Bronze\**  
 Mounts to post, or wall  
 if no post available



**KF3**

*Black, White\* or Bronze\**  
 Alignment ridges for fast  
 and easy installation



**KF3L2**

*Black, White\* or Bronze\**  
 Two side-fixing  
 legs for added strength



**KF3P**

*Black*  
 Plain Pivot  
 Hinge



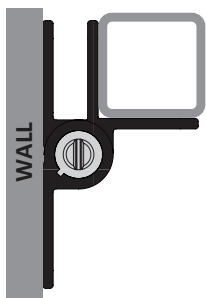
**KF3S**

*Black*  
 Self-closing  
 Hinge

	PRODUCT CODE	GATE MATERIAL	IDEAL GATE GAP	MAXIMUM SELF-CLOSING WEIGHT*	HINGE MATERIAL	COLOR OPTIONS
<b>KWIKFIT ALUMINUM</b>	<b>KF3</b> Alignment ridges, self-closing	Metal	Fixed at ½" 13mm	44 lb/20kg	Aluminum	Black, Bronze, White
	<b>KF3L2</b> 2 side fixing legs, self-closing	Metal	Fixed at ½" 13mm	44 lb/20kg	Aluminum	Black, Bronze, White
	<b>KF3A</b> Wall or post mount, self-closing	Metal, Wood, Brick	Fixed at ¾" 19mm	44 lb/20kg	Aluminum	Black, Bronze, White
	<b>KF3A1BL</b> Wall or post mount, self-closing	Metal, Wood, Brick	Fixed at ⅞" 21.5mm	44 lb/20kg	Aluminum	Black
<b>KWIKFIT POLYMER</b>	<b>KF3P</b> No spring, non-self-closing	Metal, Wood	Fixed at ¾" 19mm	Plain Pivot No spring	Polymer	Black
	<b>KF3S</b> Fixed tension, self-closing	Metal, Wood	Fixed at ¾" 19mm	44 lb/20kg	Polymer	Black

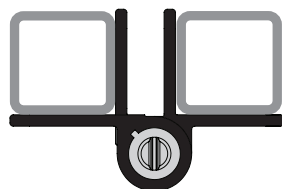
**KF3A1BL/KF3A**

Mounts to post, or wall  
 if no post available



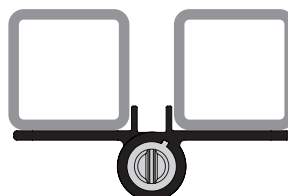
**KF3A1/KF3A**

Post-to-Gate



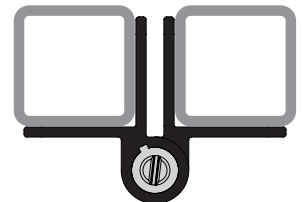
**KF3**

Post-to-Gate mount  
 with alignment ridges



**KF3L2**

Post-to-Gate mount  
 with two side-fixing legs





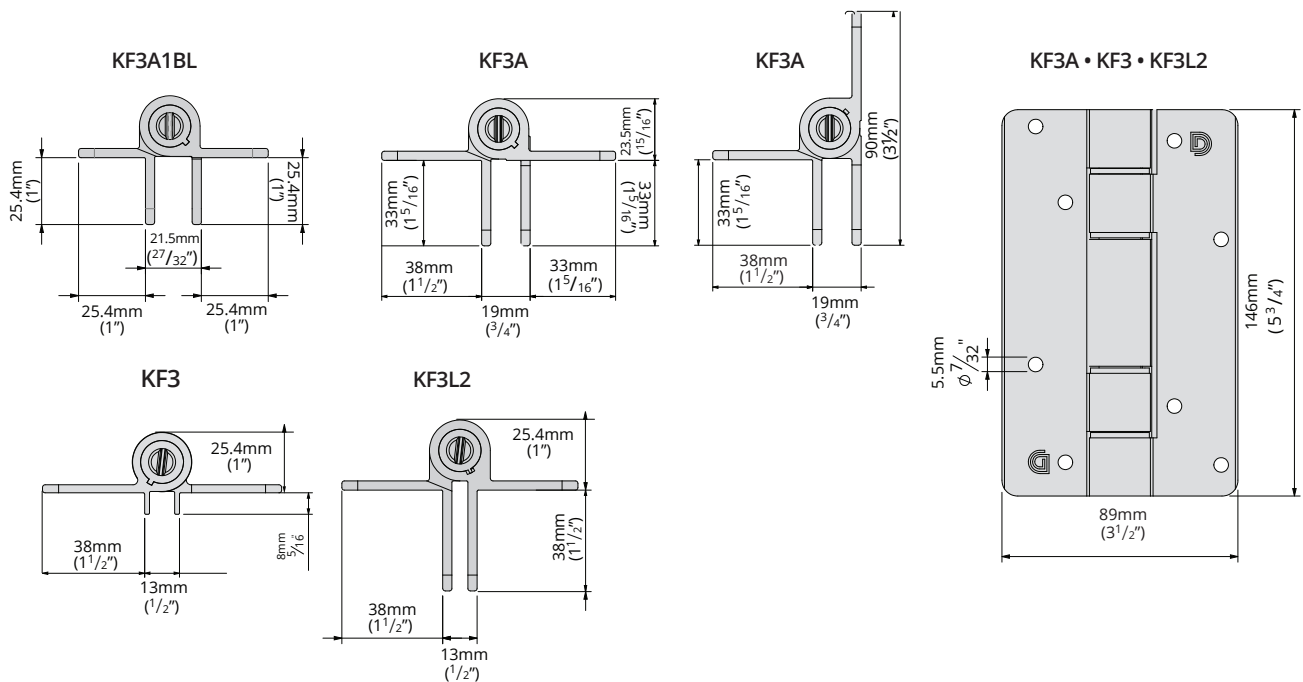
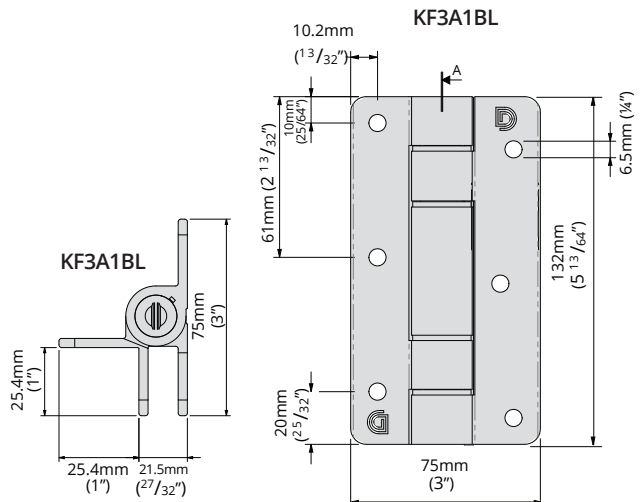
### Self-Closing, Adjustable Aluminum Hinges

- Traditionally styled, self-closing hinges
- Aluminum construction with powder-coated finish
- Wall- and post-mount models available
- Internal stainless steel closing spring
- Tension adjustment from either end
- Low-friction polymer bushes for smooth closure
- Self-closes gates up to 44 lb (20kg)
- New 1" (25mm) leaf model for narrow frames

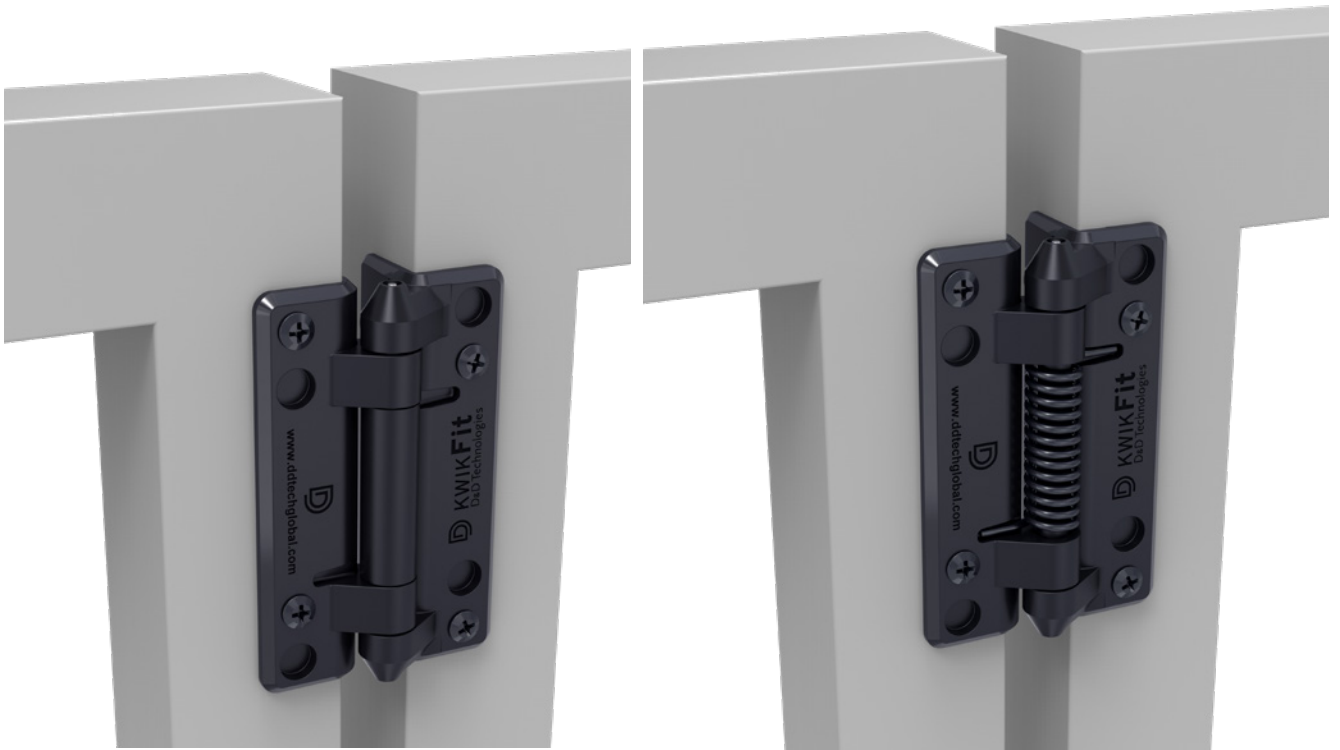


CODE	COLOR	MODEL/FEATURE	GAP VARIANCE
KF3A1BL	Black Gloss	Wall or post mounted	Fixed at 3/8" (21.5mm)
KF3ABL	Black Gloss	Wall or post mounted	Fixed at 3/4" (19mm)
KF3ABR	Bronze Satin	Wall or post mounted	Fixed at 3/4" (19mm)
KF3AWT	White Gloss	Wall or post mounted	Fixed at 3/4" (19mm)
KF3BL	Black Gloss	Alignment ridges	Fixed at 1/2" (13mm)
KF3BR	Bronze satin	Alignment ridges	Fixed at 1/2" (13mm)
KF3WT	White Gloss	Alignment ridges	Fixed at 1/2" (13mm)
KF3L2BL	Black Gloss	2 Side fixing legs	Fixed at 1/2" (13mm)
KF3L2BR	Bronze Satin	2 Side fixing legs	Fixed at 1/2" (13mm)
KF3L2WT	White Gloss	2 Side fixing legs	Fixed at 1/2" (13mm)

**NOTE:** New KF3A1BL (25mm wide leaf) model sold in pairs.  
 All other KwitFit® Aluminum models sold as single hinges.  
 For pairing or kit options, please contact your D&D sales representative.



**General-Purpose Gate Hinges for light- to mid-weight gates**



**KF3P**  
No spring, plain pivoting

**KF3S**  
Self-closing, fixed tension

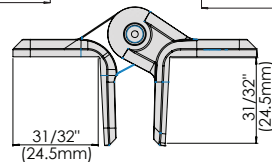
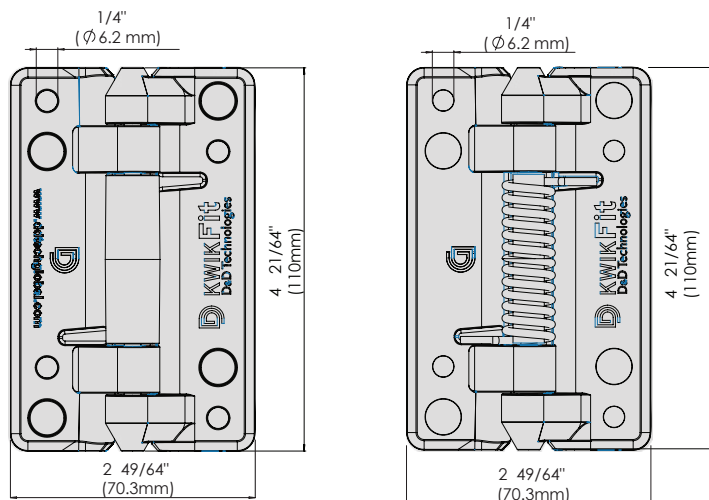
- New, economical gate hinges
- KF3P model for gates up to 55 lb (25kg)
- KF3S self-closes gates up to 44 lb (20kg)
- Industrial-strength polymer construction
- Integrated safety cap prevents foothold
- Stainless steel components
- Won't rust, bind, sag or stain

CODE	COLOR	MODEL/FEATURE	GATE GAP	GATE MATERIAL
KF3P	Black	Plain pivoting - No spring	Fixed at 3/4" (19mm)	Metal, Wood, Vinyl
KF3S	Black	Self-closing - fixed tension	Fixed at 3/4" (19mm)	Metal, Wood, Vinyl



**KwikFit™ side-fixing legs**

offer quick and easy alignment of the hinges on gate and fence post. Double face-fixing (i.e. fixes to both face and side of post and gate) also adds strength.



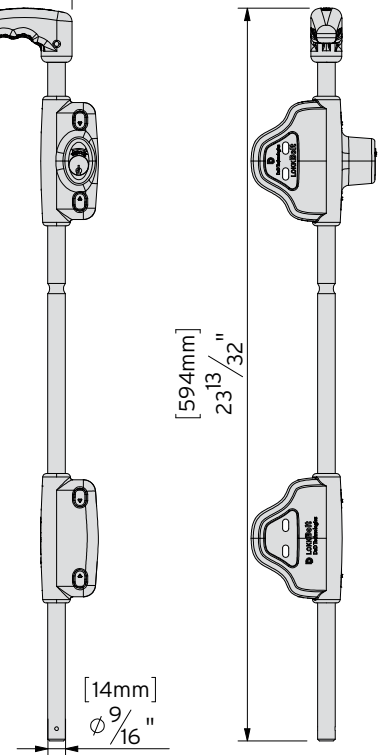
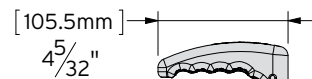
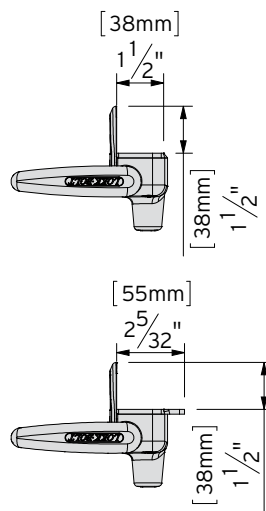
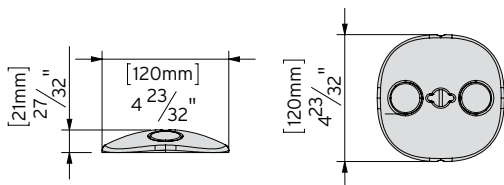


## Premium, Lockable Security Drop-Bolt

- 316 marine-grade stainless steel drop-rod
- Tough polymer-housing mounting system
- 6-pin lock (rekeyable to match doors & gate locks)
- Retention grooves prevent dropping and dragging
- Bolt lengths: 18" & 24" (450 & 610mm)
- Models for wood & vinyl have added fixing points
- Optional Base Plate retains bolt into ground



CODE	COLOR	GATE MATERIAL	BOLT LENGTH
LB118BX	Black	Metal	18" (450mm)
LB124BX	Black	Metal	24" (610mm)
LB218BX	Black	Wood, Vinyl	18" (450mm)
LBBPGB	Black	Optional Base Plate	-





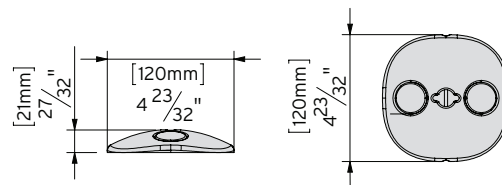
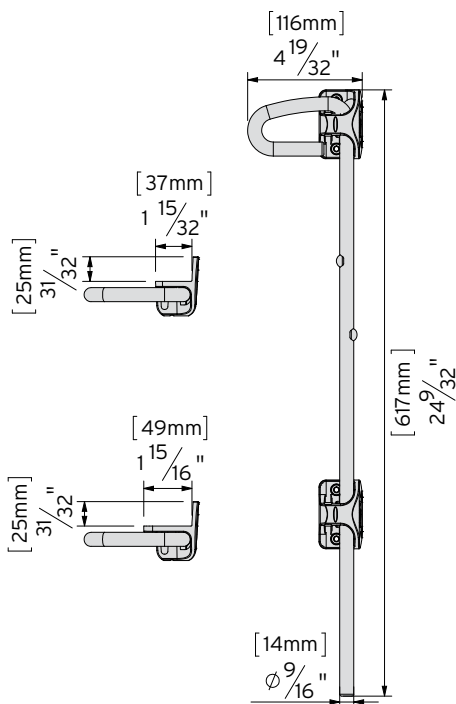


## Economical, Padlockable Drop-Bolt

- Electro-polished stainless steel, powder-coated
- Tough polymer-housing mounting system
- High wear and corrosion resistant drop-rod
- Padlockable; with padlock storage feature
- Retention tabs prevent bolt dropping & dragging
- Mounting systems for metal, wood & vinyl
- Bolt lengths: 24" & 40" (610 & 1020mm)



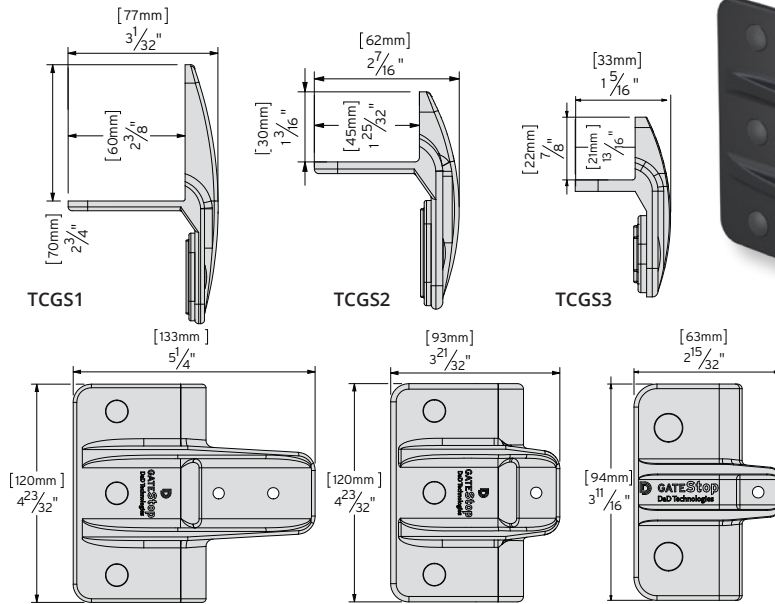
CODE	COLOR	GATE MATERIAL	BOLT LENGTH
QB124	Black	Metal	24" (610mm)
QB140	Black	Metal	40" (1020mm)
QB224	Black	Wood, Vinyl	24" (610mm)
QB224WT	White	Wood, Vinyl	24" (610mm)
QB240	Black	Wood, Vinyl	40" (1020mm)
QB240WT	White	Wood, Vinyl	40" (1020mm)
LBBPGB	Black	Optional Base Plate	-





## Gate Protection Device in 3 sizes & styles

- Ideal gate-alignment device
- Industrial-strength polymer construction + rubber bumper
- Prevents damage to latches & hinges
- Greatly reduces gate-slam noise
- Two side-fixing legs for added strength



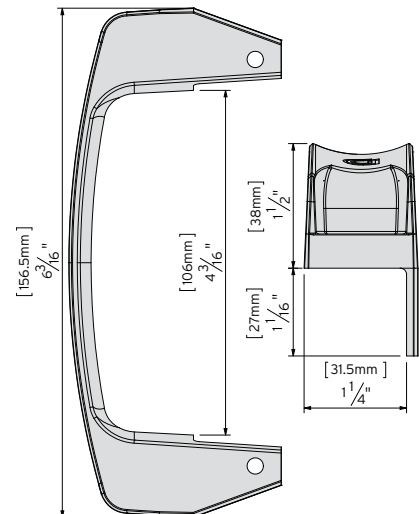
CODE	COLOR	GATE MATERIAL
TCGS1	Black, White	Wood, Vinyl
TCGS2	Black	Metal, Wood, Vinyl
TCGS3	Black	Metal



## General-Purpose, Ergonomic Gate Handle

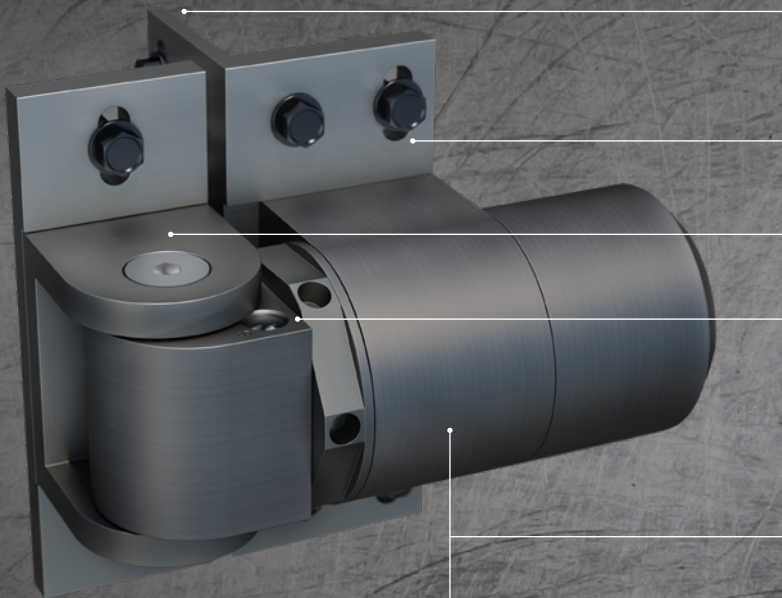
- Series 3: Improved ergonomics & styling
- Side-fixing legs for quick alignment & added strength
- Fits left-handed or right-handed opening gates
- Won't rust, stain or chip
- Industrial-strength polymer construction
- Available in black or white finish
- Stainless steel fasteners included

CODE	COLOR	GATE MATERIAL
LL3GH	Black	Metal, Wood, Vinyl
LL3GHWT	White	Metal, Wood, Vinyl

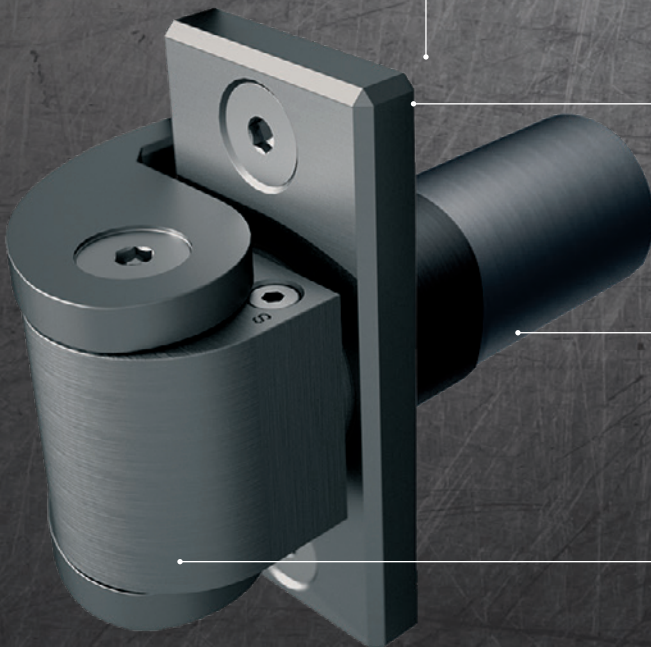




# Powerful, hydraulic hinge-closers. Heavy duty and corrosion resistant.



READYFIT model



FLUSH MOUNT model

### Quick-fit alignment legs

For ease of installation, alignment and double face-fixing strength.

### Vertical alignment slots

Re-align hinge (gate) at any time

### Added security

Torx screws that prevent tampering

### Multiple adjustment options

- Adjustable self-closing and closing speed
- Adjustable final snap-close action
- Gate gap horizontal adjustability  
1/2" - 1 3/8" (12-35mm)

### Superior corrosion resistance

- Steel weld-on models feature high-performance proprietary, non-electrolytic zinc flake coating (no need to grind off before welding)
- Aluminum screw-on models feature 50-micron thick anodized coating

### Mounting Brackets:

A variety of gate brackets allow for virtually any square-post application:

- Steel or Aluminum
- Fastened or Welded
- External, Flush or Center Mount

### Powerful, hidden hydraulics

Hydraulics are concealed within the hinge providing a controlled, quiet close in a tamper-resistant, compact design.

No need to ever add fluid.

### Dual Bearing Glide System

Two rows of bearings for consistently superior performance



# Hydraulic Hinge-Closer Selection Guide



READYFIT

FLUSH MOUNT

CENTER MOUNT

EASY

CONCEALFIT

MODEL	CODE	MODEL	PRODUCT DESCRIPTION	MOUNTING TYPE	FIXING METHOD	MAX OPENING ANGLE	SELF-CLOSING FROM
READYFIT™	74108333T	RF108S S 180	Safety Hinge/Closer	External	Aluminum Screw-on	180°	180°
	74108323T	RF108SF S	Safety Hinge/Closer	External	Aluminum Screw-on	88°	88°
	74108313T	RF108 S	Hinge/Closer	External	Aluminum Screw-on	178°	83°
	74001313T	RFSM S	Hinge Only	External	Aluminum Screw-on	178°	N/A
	74108335T	RF108S W 180	Safety Hinge/Closer	External	Steel Weld-on	180°	180°
	74108325T	RF108SF W	Safety Hinge/Closer	External	Steel Weld-on	88°	88°
	74108315T	RF108 W	Hinge/Closer	External	Steel Weld-on	178°	83°
	74001315T	RFSM W	Hinge Only	External	Steel Weld-on	178°	N/A
FLUSH MOUNT	75001213	SMAT90 S	Hinge Only	Flush	Aluminum Screw-on	180°	N/A
	75057213M	57AT90 S	Hinge/Closer	Flush	Aluminum Screw-on	180°	85°
	75057223M	57SFAT90 S	Hinge/Closer	Flush	Aluminum Screw-on	90°	90°
	75108213M	108AT90 S	Hinge/Closer	Flush	Aluminum Screw-on	180°	85°
	75108223M	108SF AT90 S	Safety Hinge/Closer	Flush	Aluminum Screw-on	90°	90°
	75001214	SMAT90 W	Hinge Only	Flush	Steel Weld-on	180°	N/A
	75057214M	57AT90 W	Hinge/Closer	Flush	Steel Weld-on	180°	85°
	75057224M	57SF AT90 W	Hinge/Closer	Flush	Steel Weld-on	90°	90°
	75108214M	108 AT90 W	Hinge/Closer	Flush	Steel Weld-on	180°	85°
	75108224M	108SFAT90 W	Safety Hinge/Closer	Flush	Steel Weld-on	90°	90°
CENTER MOUNT	75001113	SM S	Heavy-Duty Hinge	Center	Aluminum Screw-on	90°	N/A
	75057113M	57 S	Hinge/Closer	Center	Aluminum Screw-on	90°	85°
	75057123M	57SF S	Hinge/Closer	Center	Aluminum Screw-on	90°	90°
	75108113M	108 S	Safety Hinge/Closer	Center	Aluminum Screw-on	90°	85°
	75108123M	108SF S	Safety Hinge/Closer	Center	Aluminum Screw-on	90°	90°
	75001114	SM W	Heavy-Duty Hinge	Center	Steel Weld-on	90°	N/A
	75057114M	57 W	Hinge/Closer	Center	Steel Weld-on	90°	85°
	75057124M	57SF W	Hinge/Closer	Center	Steel Weld-on	90°	90°
	75108114M	108 W	Safety Hinge/Close	Center	Steel Weld-on	90°	85°
	75108124	108SF W	Safety Hinge/Close	Center	Steel Weld-on	90°	90°
EASY™	72108423	SC108SF S	Hydraulic Closer	External	Aluminum Screw-on	90°	90°
CONCEALFIT™	77108523	SC CF KIT	Door Closer/Hinge Kit	Center	Aluminum Screw-on	125°	125°
	78108513	SC CF HINGE	Plain Pivot Door Hinge	Center	Aluminum Screw-on	125°	N/A

# Post Mounting Brackets (sold separately)



7511  
CENTER MOUNT



7512  
CENTER MOUNT



7513  
CENTER MOUNT



7526  
CENTER MOUNT



7515  
FLUSH MOUNT



7525  
FLUSH MOUNT

HORIZONTAL GAP VARIANCE	MINIMUM POST/DOOR SIZE	FIXING BRACKET CODE	SELF-CLOSING SAFETY/ POOL	ADA COMPLIANT	SELF-CLOSING WITH HOLD OPEN	NON SELF-CLOSING	ADJUSTABLE CLOSING SPEED	FINAL SNAP ACTION
½"-1¾" (12-35mm)	2" (50mm)	Included	*●	●			●	●
½"-1¾" (12-35mm)	2" (50mm)	Included	*●				●	●
½"-1¾" (12-35mm)	2" (50mm)	Included		●	●		●	●
½"-1¾" (12-35mm)	2" (50mm)	Included				●		
½"-1¾" (12-35mm)	2" (50mm)	Included	*●	●			●	●
½"-1¾" (12-35mm)	2" (50mm)	Included	*●	●			●	●
½"-1¾" (12-35mm)	2" (50mm)	Included						
½"-1¾" (12-35mm)	2" (50mm)	Included						
½" (13mm)	2" (50mm)	7515				●		
½" (13mm)	2" (50mm)	7515		●	●		●	
½" (13mm)	2" (50mm)	7515	*●				●	
½" (13mm)	3" (76mm)	7515		●	●		●	●
½" (13mm)	3" (76mm)	7515	*●				●	●
½" (13mm)	2" (50mm)	7525				●		
½" (13mm)	2" (50mm)	7525		●	●		●	
½" (13mm)	2" (50mm)	7525	*●				●	
½" (13mm)	3" (76mm)	7525		●	●		●	●
½" (13mm)	3" (76mm)	7525	*●				●	●
2½"-3" (63-76mm)	2½" (64mm)	7511, 7512, 7513				●		
2½"-3" (63-76mm)	2½" (64mm)	7511, 7512, 7513		●	●		●	
2½"-3" (63-76mm)	2½" (64mm)	7511, 7512, 7513	*●				●	
2½"-3" (63-76mm)	3" (76mm)	7511, 7512, 7513		●	●		●	●
2½"-3" (63-76mm)	3" (76mm)	7511, 7512, 7513	*●				●	●
2½"-3" (63-76mm)	2½" (64mm)	7526				●		
2½"-3" (63-76mm)	2½" (64mm)	7526		●	●		●	
2½"-3" (63-76mm)	2½" (64mm)	7526	*●				●	
2½"-3" (63-76mm)	3" (76mm)	7526		●	●		●	●
2½"-3" (63-76mm)	3" (76mm)	7526	*●				●	●
2-4" (51-102mm)	2" (50mm)	Included	*●				●	●
N/A	1.6" (40mm)	N/A		●			●	●
N/A	1.6" (40mm)	N/A						

\*Check local pool barrier guidelines for proper installation methods. (SF) = Gate will not hold open at 90° (OK for safety gates).

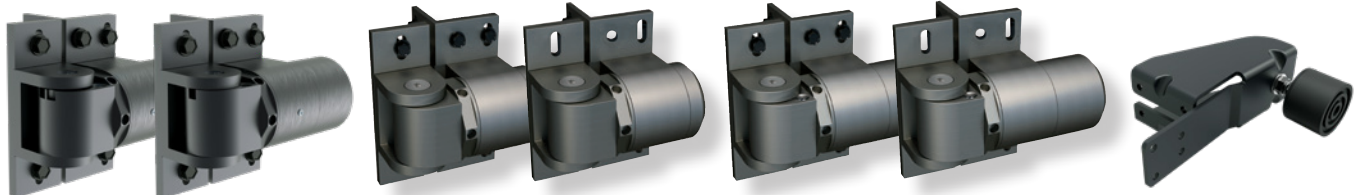
Do NOT use a hinge with a 90° hold-open feature for pool/child safety gates.

Hinges must be at least 36" (900mm) apart so that they cannot be used as footholds by toddlers.

CAUTION: A gate-stop must be installed when using SF models. Gate must not be allowed to open past 90°. Doing so voids warranty.

**Externally Mounted, Heavy Duty Hydraulic Gate Hinge-Closers**

- Hidden hydraulics for quiet, controlled closing
- Screw-on or weld-on, screws and brackets included
- Weld-on models feature proprietary finish – no need to grind off before welding!
- For gate gaps of ½”–1⅜” (12-35mm)
- Alignment legs give double face-fixing strength
- Final Snap-Close Action in all “108” models
- Emergency override feature for safety and longevity
- Minimum fence post size 2” (50mm)



RF 108S 180  
74108333T  
HINGE-CLOSER

RF 108S 180  
74001315T  
HINGE-CLOSER

RF SM S  
74001313T  
HINGE ONLY

RF SM W  
74001315T  
HINGE ONLY

RF 108 S / RF 108SF S  
74108313T / 74108323T  
HINGE-CLOSER

RF 108 W / RF 108SF W  
74108315T / 74108325T  
HINGE-CLOSER

7403 RF  
GATE STOP

CODE	MODEL	DESCRIPTION	MOUNTING	MAX OPENING ANGLE	SELF-CLOSING FROM	<b>CAUTION:</b> Based on max. gate size 72”H x 40”W (1800x1000mm). For gates with greater HxW, or if weather conditions such as wind play a significant role, use hinge combinations with higher self-closing weight ratings. <b>CAUTION: A gate-stop MUST be installed when using SF models.</b> Gate MUST NOT be allowed to open past 90°. Doing so voids warranty.	
74108333T**	RF 108S S 180	Safety Hinge/Closer Kit	Alum. Screw-on	180°	180°		
74108323T**	RF 108SF S	Safety Hinge/Closer***	Alum. Screw-on	88°	88°		
74108313T**	RF 108 S	Hydraulic Hinge/Closer	Alum. Screw-on	178°	83°		
74001313T	RF-SM S	Hinge Only	Alum. Screw-on	178°	N/A	<b>HINGE COMBINATIONS</b>	<b>MAX SELF-CLOSING GATE WEIGHT</b>
74108335T**	RF 108S W 180	Safety Hinge/Closer Kit	Steel Weld/Screw	180°	180°	108 + 108	260 lb (120kg)
74108325T**	RF 108SF W	Safety Hinge/Closer***	Steel Weld/Screw	88°	88°	108 + SM	180 lb (80kg)
74108315T**	RF 108 W	Hydraulic Hinge/Closer	Steel Weld/Screw	178°	83°	180° Hinge/Closer Kit	180 lb (80kg)
74001315T	RF SM W	Hinge Only	Steel Weld/Screw	178°	N/A	<b>ACCESS CONTROL</b>	<b>WEIGHT CAPACITY</b>
7403	RF Gate Stop	GateStop for SF Models***	Weld or Screw-on	N/A	N/A	SM + SM	1,500 lb (680kg)

\* **Warranty conditions** vary according to gate or door application and usage. See full Warranty details and limitations on D&D Technologies' website.

\*\* **Meets ADA requirements** (gate opening and closing angles and self-closing speed)

\*\*\* (SF) = Gate will not hold open at 85° (for safety gates). Do NOT use a hinge with a 90° hold-open feature for pool/child safety gates. Because SF hinges do not open more than 90°, **the gate must have a gate-stop that prevents the gate opening more than 90°.**

Forcing a gate with SF hinges beyond a 90° opening will damage the hinges and void the Warranty. If using SF hinges on child safety or pool gates always consult the appropriate authorities in your area to meet local requirements or Code compliance.

**Note:** Min. fence post size 2” (50mm). Gap variance for all models ½” to 1⅜” (12-35mm). SureClose® range sold as single hinges. Self-Drilling Screws Included.

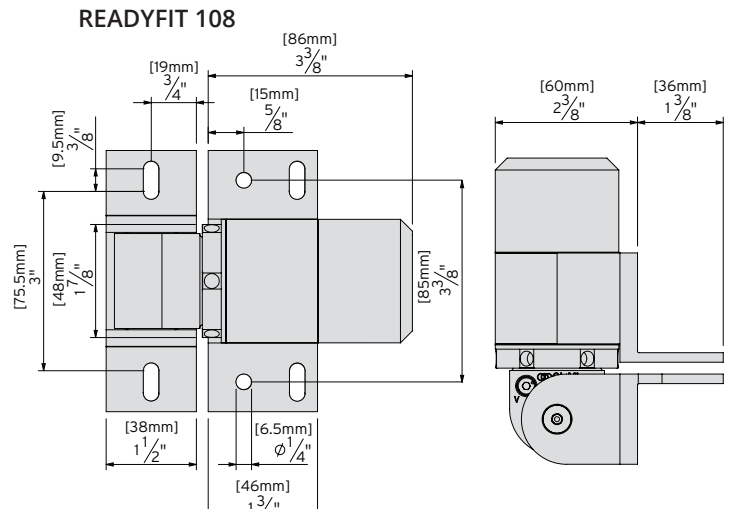
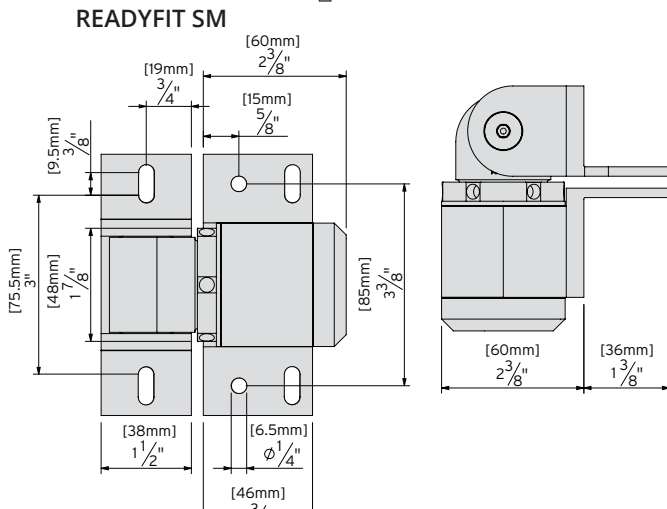
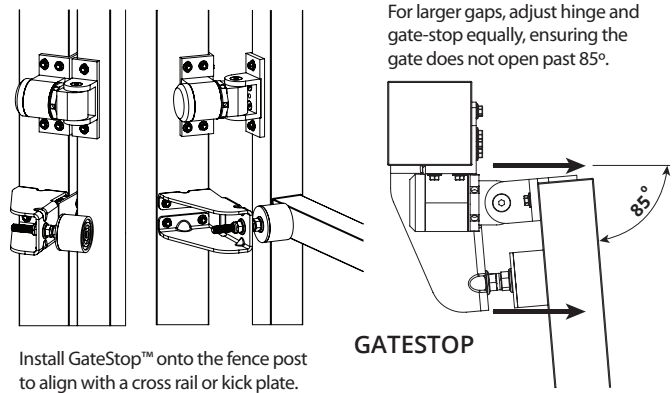
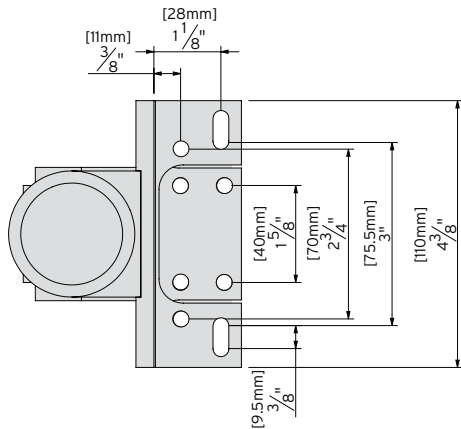
# Gate Function

■ Hold-open  
Not for safety gates

■ Self-closing  
Speed adjustable

■ Final snap-close action  
For electric/coded locks

<p><b>READYFIT Brackets</b></p> <table border="1"> <thead> <tr> <th>Models</th> <th>Bracket Material</th> </tr> </thead> <tbody> <tr> <td>74108313T</td> <td>Aluminum</td> </tr> <tr> <td>74108315T</td> <td>Steel</td> </tr> </tbody> </table>	Models	Bracket Material	74108313T	Aluminum	74108315T	Steel	<p><b>SELF-CLOSING - NON SAFETY</b> <i>Not suitable for child/pool safety</i></p>	<p><b>READYFIT Brackets</b></p> <table border="1"> <thead> <tr> <th>Models</th> <th>Bracket Material</th> </tr> </thead> <tbody> <tr> <td>74108323T</td> <td>Aluminum</td> </tr> <tr> <td>74108325T</td> <td>Steel</td> </tr> </tbody> </table>	Models	Bracket Material	74108323T	Aluminum	74108325T	Steel	<p><b>SELF-CLOSING - SAFETY ("SF" model)</b> <i>Suitable for child/pool safety*</i> <b>DO NOT PROP GATE OPEN</b></p>
Models	Bracket Material														
74108313T	Aluminum														
74108315T	Steel														
Models	Bracket Material														
74108323T	Aluminum														
74108325T	Steel														
<p>All mounting brackets and fasteners included.</p>	<p>Face of gate and post are aligned.</p>	<p>All mounting brackets and fasteners included.</p>	<p>Face of gate and post are aligned.</p>												
<p><b>READYFIT Brackets</b></p> <table border="1"> <thead> <tr> <th>Models</th> <th>Bracket Material</th> </tr> </thead> <tbody> <tr> <td>74001313T</td> <td>Aluminum</td> </tr> <tr> <td>74001315T</td> <td>Steel</td> </tr> </tbody> </table>	Models	Bracket Material	74001313T	Aluminum	74001315T	Steel	<p><b>NON SELF-CLOSING</b> <i>Not suitable for child/pool safety</i></p>	<p><b>READYFIT Brackets</b></p> <table border="1"> <thead> <tr> <th>Models</th> <th>Bracket Material</th> </tr> </thead> <tbody> <tr> <td>74108333T</td> <td>Aluminum</td> </tr> <tr> <td>74108335T</td> <td>Steel</td> </tr> </tbody> </table>	Models	Bracket Material	74108333T	Aluminum	74108335T	Steel	<p><b>SELF-CLOSING 180 - SAFETY</b> <i>Suitable for child/pool safety*</i> <b>DO NOT PROP GATE OPEN</b></p>
Models	Bracket Material														
74001313T	Aluminum														
74001315T	Steel														
Models	Bracket Material														
74108333T	Aluminum														
74108335T	Steel														
<p>All mounting brackets and fasteners included.</p>	<p>Face of gate and post are aligned.</p>	<p><b>CAUTION:</b> Not suitable for child/pool gates unless a gate-stop is installed at a maximum of 170°. <b>DO NOT PROP GATE OPEN.</b> When used on a swimming pool gate, always consult local authorities for swimming pool Codes.</p>	<p>Face of gate and post are aligned.</p>												
<p>All mounting brackets and fasteners included.</p>	<p>All mounting brackets and fasteners included.</p>	<p>All mounting brackets and fasteners included.</p>	<p>All mounting brackets and fasteners included.</p>												





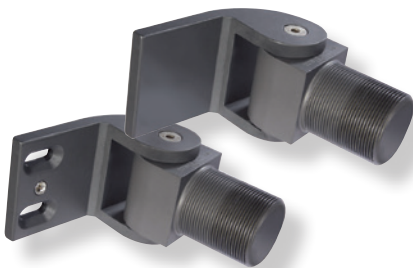
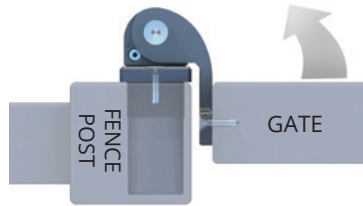
**5 YEAR WARRANTY**

## **D** SUREClose® FLUSH MOUNT

### Internally Mounted, Heavy Duty Hydraulic, Gate Hinge-Closers

- Powerful, hidden hydraulics
- Maintenance free, with high corrosion resistance
- Multiple adjustment options (force, speed)
- Prevents gate-slam noise and gate damage
- Self-closes gates up to 260 lb (120kg)
- Non-self-closing models available
- 50-micron anodizing (aluminum components)
- Weld-on models – no need to grind before welding!
- Mounting brackets sold separately (see guide p.45)

Flush Mount swings in or out



SM AT90 S / SM AT90 W  
75001213 / 75001214  
NON-SELF-CLOSING



57 AT90 S / 57 AT90 W  
75057213M / 75057214M  
SELF-CLOSING FROM 85°  
Holds gate open at 90°

57SF AT90 S / 57SF AT90 W  
75057223M / 75057224M  
SELF-CLOSING FROM 90°



108 AT90 S / 108 AT90 W  
75108213M / 75108214M  
SELF-CLOSING FROM 85°  
Holds gate open at 90°  
With Final Snap-Close Action

108SF AT90 / 108SF AT90 W  
75108223M / 75108224M  
SELF-CLOSING FROM 90°  
With Final Snap-Close Action

CODE*	MODEL	DESCRIPTION	MOUNTING
75001213	SM AT90 S	Non Self-Closing Hinge	Aluminum Screw-on
75057213M	57 AT90 S	Hydraulic Hinge Closer	Aluminum Screw-on
75057223M	57SF AT90 S**	Safety Hydraulic Hinge Closer	Aluminum Screw-on
75108213M	108 AT90 S	Hinge Closer w/ Final Snap Action	Aluminum Screw-on
75108223M	108SF AT90 S**	Safety Hinge Closer w/ Final Snap Action	Aluminum Screw-on
75001214	SM AT90 W	Non Self-Closing Hinge	Steel Weld-on
75057214M	57 AT90 W	Hydraulic Hinge Closer	Steel Weld-on
75057224M	57SF AT90 W**	Safety Hydraulic Hinge Closer	Steel Weld-on
75108214M	108 AT90 W	Hinge Closer w/ Final Snap Action	Steel Weld-on
75108224M	108SF AT90 W**	Safety Hinge Closer w/ Final Snap Action	Steel Weld-on

<b>CAUTION:</b> Based on max. gate size 72"H x 40"W (1800x1000mm). For gates with greater HxW, or if weather conditions such as wind play a significant role, use hinge combinations with higher self-closing weight ratings. <b>CAUTION: A gate-stop MUST be installed when using SF models.</b> Gate MUST NOT be allowed to open past 90°. Doing so voids warranty.	
HINGE COMBINATIONS	MAX SELF-CLOSING GATE WEIGHT
57 + SM	90 lb (40kg)
57 + 57	180 lb (80kg)
108 + SM	180 lb (80kg)
108 + 108	260 lb (120kg)
ACCESS CONTROL	WEIGHT CAPACITY
SM + SM	1,500 lb (680kg)

\* **Warranty conditions** vary according to gate or door application and usage. See full Warranty details and limitations on D&D Technologies' website. Gate mounting brackets included with hinge. Post-mounting brackets sold separately. Fasteners not included.

\*\*Use only "SF" model (safety) closers on pool/safety gates. Hinges must be at least 36" (900mm) apart so they cannot be used as footholds by toddlers.



# Gate Function

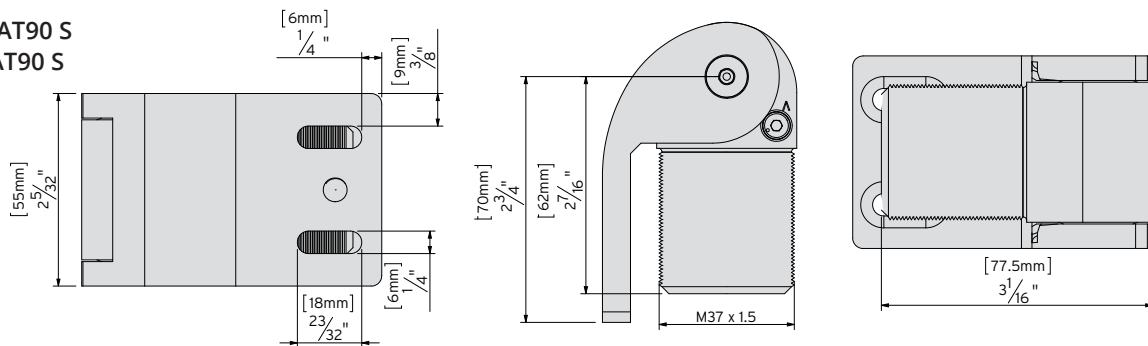
■ Hold-open  
Not for safety gates

■ Self-closing  
Speed adjustable

■ Final snap-close action  
For electric/coded locks

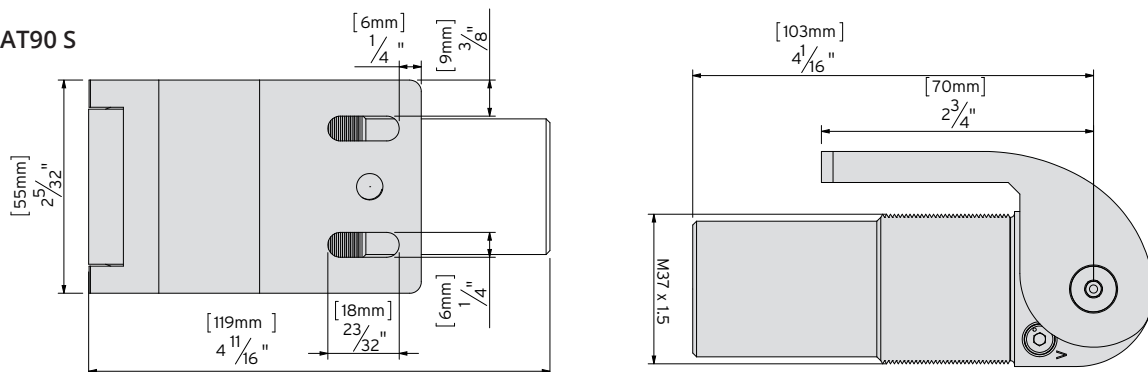
<p><b>Flush Mount Brackets</b></p> <table border="1"> <thead> <tr> <th>Models</th> <th>Bracket Material</th> </tr> </thead> <tbody> <tr> <td>75108214M</td> <td>Steel</td> </tr> <tr> <td>75108213M</td> <td>Aluminum</td> </tr> </tbody> </table> <p><b>SELF-CLOSING - NON SAFETY</b> Not suitable for child/pool safety</p> <p>Use post bracket: 7525 Steel 7515 Aluminum</p> <p>Flush Mount: Face of gate and post are aligned.</p>	Models	Bracket Material	75108214M	Steel	75108213M	Aluminum	<p><b>Flush Mount Brackets</b></p> <table border="1"> <thead> <tr> <th>Models</th> <th>Bracket Material</th> </tr> </thead> <tbody> <tr> <td>75108224M</td> <td>Steel</td> </tr> <tr> <td>75108223M</td> <td>Aluminum</td> </tr> </tbody> </table> <p><b>SELF-CLOSING - SAFETY (SF Model)</b> Suitable for child/pool safety* DO NOT PROP GATE OPEN</p> <p>Use post bracket: 7525 (W) 7515 Aluminum</p> <p><b>CAUTION:</b> When used on swimming pool gates, always consult local authorities for swimming pool Codes. A gate-stop MUST be installed when using SF models. Gate MUST NOT be allowed to open past 90°. Doing so voids warranty.</p> <p>Flush Mount: Face of gate and post are aligned.</p>	Models	Bracket Material	75108224M	Steel	75108223M	Aluminum
Models	Bracket Material												
75108214M	Steel												
75108213M	Aluminum												
Models	Bracket Material												
75108224M	Steel												
75108223M	Aluminum												
<p><b>Flush Mount Brackets</b></p> <table border="1"> <thead> <tr> <th>Models</th> <th>Bracket Material</th> </tr> </thead> <tbody> <tr> <td>75057214M</td> <td>Steel</td> </tr> <tr> <td>75057213M</td> <td>Aluminum</td> </tr> </tbody> </table> <p><b>SELF-CLOSING - NON SAFETY</b> Not suitable for child/pool safety</p> <p>Use post bracket: 7525 Steel 7515 Aluminum</p> <p>Flush Mount: Face of gate and post are aligned.</p>	Models	Bracket Material	75057214M	Steel	75057213M	Aluminum	<p><b>Flush Mount Brackets</b></p> <table border="1"> <thead> <tr> <th>Models</th> <th>Bracket Material</th> </tr> </thead> <tbody> <tr> <td>75057224M</td> <td>Steel</td> </tr> <tr> <td>75057223M</td> <td>Aluminum</td> </tr> </tbody> </table> <p><b>SELF-CLOSING - SAFETY (SF Model)</b> Suitable for child/pool safety* DO NOT PROP GATE OPEN</p> <p>Use post bracket: 7525 Steel 7515 Aluminum</p> <p><b>CAUTION:</b> When used on swimming pool gates, always consult local authorities for swimming pool Codes. A gate-stop MUST be installed when using SF models. Gate MUST NOT be allowed to open past 90°. Doing so voids warranty.</p> <p>Flush Mount: Face of gate and post are aligned.</p>	Models	Bracket Material	75057224M	Steel	75057223M	Aluminum
Models	Bracket Material												
75057214M	Steel												
75057213M	Aluminum												
Models	Bracket Material												
75057224M	Steel												
75057223M	Aluminum												

## SM AT90 S 57 AT90 S



*Sold as a single hinge*

## 108 AT90 S



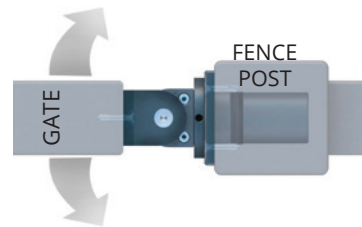
# D<sup>®</sup> SUREClose<sup>®</sup> CENTER MOUNT

## Internally Mounted, Heavy Duty Hydraulic, Gate Hinge-Closers

- Maintenance free, with high corrosion resistance
- Screw-on or weld-on models available
- Multiple adjustment options
- Self-closes gates up to 260 lb (120kg)
- Non-self-closing models available
- Prevents gate slam noise & gate damage
- 50-micron anodizing (aluminum components)
- Proprietary finish – no need to grind before welding!
- Mounting brackets sold separately (see guide p.45)



Center Mount swings in & out



SM S / SM W  
75001113 / 75001114  
NON-SELF-CLOSING



57 S / 57 W  
75057113M / 75057114M  
SELF-CLOSING FROM 85°  
Holds gate open at 90°

57SF S / 57SF W\*\*  
75057123M / 75057124M  
SELF-CLOSING FROM 90°



108 S / 108 W  
75108113M / 75108114M  
SELF-CLOSING FROM 85°  
Holds gate open at 90°  
With Final Snap-Close action

108SF S / 108SF W  
75108123M / 75108124M  
SELF-CLOSING FROM 90°  
With Final Snap-Close action

CODE*	MODEL	DESCRIPTION	MOUNTING
75001113	SM S	Non Self-Closing Hinge	Aluminum Screw-on
75057113M	57 S	Hinge Closer	Aluminum Screw-on
75057123M	57SF S**	Safety Hinge Closer	Aluminum Screw-on
75108113M	108 S	Hinge Closer w/ Final Snap Action	Aluminum Screw-on
75108123M	108SF S**	Safety Hinge Closer w/ Final Snap Action	Aluminum Screw-on
75001114	SM W	Non Self-Closing Hinge	Steel Weld-on
75057114M	57 W	Hinge Closer	Steel Weld-on
75057124M	57SF W**	Safety Hinge Closer	Steel Weld-on
75108114M	108 W	Hinge Closer w/ Final Snap Action	Steel Weld-on
75108124M	108SF W**	Safety Hinge Closer w/ Final Snap Action	Steel Weld-on

<b>CAUTION:</b> Based on max. gate size 72"H x 40"W (1800x1000mm). For gates with greater HxW, or if weather conditions such as wind play a significant role, use hinge combinations with higher self-closing weight ratings. <b>CAUTION: A gate-stop MUST be installed when using SF models.</b> Gate MUST NOT be allowed to open past 90°. Doing so voids warranty.	
HINGE COMBINATIONS	MAX SELF-CLOSING GATE WEIGHT
57 + SM	90 lb (40kg)
57+57	180 lb (80kg)
108 + SM	180 lb (80kg)
108 + 108	260 lb (120kg)
ACCESS CONTROL	WEIGHT CAPACITY
SM + SM	1,500 lb (680kg)

\* **Warranty conditions** vary according to gate or door application and usage. See full Warranty details and limitations on D&D Technologies' website. Gate mounting brackets included with hinge. Post-mounting brackets sold separately. Fasteners not included.

\*\*Use only "SF" model (safety) closers on pool/safety gates. Hinges must be at least 36" (900mm) apart so they cannot be used as footholds by toddlers.

# Gate Function

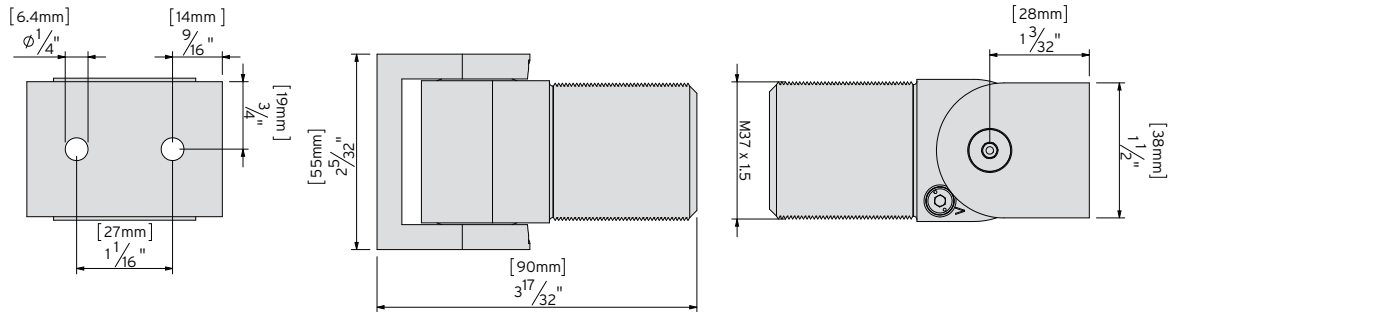
■ Hold-open  
Not for safety gates

■ Self-closing  
Speed adjustable

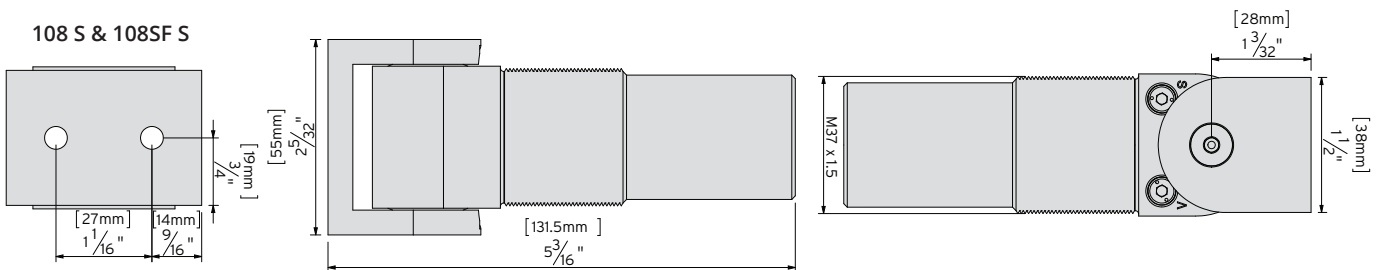
■ Final snap-close action  
For electric/coded locks

<p><b>Center Mount Brackets</b></p> <table border="1"> <thead> <tr> <th>Models</th> <th>Bracket Material</th> </tr> </thead> <tbody> <tr> <td>75108114M</td> <td>Steel</td> </tr> <tr> <td>75108113M</td> <td>Aluminum</td> </tr> </tbody> </table> <p><b>SELF-CLOSING - NON SAFETY</b> Not suitable for child/pool safety</p> <p>Use post bracket: 7526 Steel 7511 Aluminum 7512 Aluminum 7513 Aluminum 7514 Aluminum</p> <p>Center Mount: Center of gate and post are aligned.</p>	Models	Bracket Material	75108114M	Steel	75108113M	Aluminum	<p><b>Center Mount Brackets</b></p> <table border="1"> <thead> <tr> <th>Models</th> <th>Bracket Material</th> </tr> </thead> <tbody> <tr> <td>75108124M</td> <td>Steel</td> </tr> <tr> <td>75108123M</td> <td>Aluminum</td> </tr> </tbody> </table> <p><b>SELF-CLOSING - SAFETY (SF model)</b> Suitable for child/pool safety* DO NOT PROP GATE OPEN</p> <p>Center Mount: Center of gate and post are aligned.</p> <p>Use post bracket: 7526 Steel 7511 Aluminum 7512 Aluminum 7513 Aluminum 7514 Aluminum</p> <p><b>CAUTION:</b> When used on swimming pool gates, always consult local authorities for swimming pool Codes. A gate-stop MUST be installed when using SF models. Gate MUST NOT be allowed to open past 90°. Doing so voids warranty.</p>	Models	Bracket Material	75108124M	Steel	75108123M	Aluminum
Models	Bracket Material												
75108114M	Steel												
75108113M	Aluminum												
Models	Bracket Material												
75108124M	Steel												
75108123M	Aluminum												
<p><b>Center Mount Brackets</b></p> <table border="1"> <thead> <tr> <th>Models</th> <th>Bracket Material</th> </tr> </thead> <tbody> <tr> <td>75057114M</td> <td>Steel</td> </tr> <tr> <td>75057113M</td> <td>Aluminum</td> </tr> </tbody> </table> <p><b>SELF-CLOSING - NON SAFETY</b> Not suitable for child/pool safety</p> <p>Use post bracket: 7526 Steel 7511 Aluminum 7512 Aluminum 7513 Aluminum 7514 Aluminum</p> <p>Center Mount: Center of gate and post are aligned.</p>	Models	Bracket Material	75057114M	Steel	75057113M	Aluminum	<p><b>Center Mount Brackets</b></p> <table border="1"> <thead> <tr> <th>Models</th> <th>Bracket Material</th> </tr> </thead> <tbody> <tr> <td>75057124M</td> <td>Steel</td> </tr> <tr> <td>75057123M</td> <td>Aluminum</td> </tr> </tbody> </table> <p><b>SELF-CLOSING - SAFETY (SF model)</b> Suitable for child/pool safety* DO NOT PROP GATE OPEN</p> <p>Center Mount: Center of gate and post are aligned.</p> <p>Use post bracket: 7526 Steel 7511 Aluminum 7512 Aluminum 7513 Aluminum 7514 Aluminum</p> <p><b>CAUTION:</b> When used on swimming pool gates, always consult local authorities for swimming pool Codes. A gate-stop MUST be installed when using SF models. Gate MUST NOT be allowed to open past 90°. Doing so voids warranty.</p>	Models	Bracket Material	75057124M	Steel	75057123M	Aluminum
Models	Bracket Material												
75057114M	Steel												
75057113M	Aluminum												
Models	Bracket Material												
75057124M	Steel												
75057123M	Aluminum												

## SM S & 57 S & 57SF S



## 108 S & 108SF S

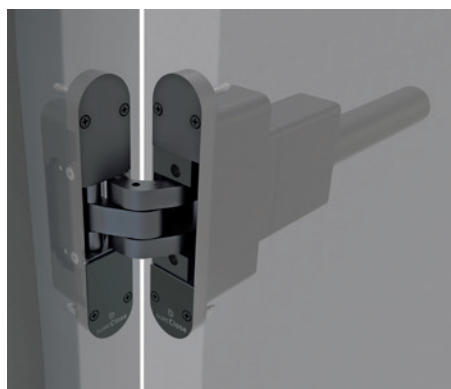


**World's only Concealed Door Closer & Hinge all-in-one**

- Powerful, hidden hydraulic closure
- Hydraulics concealed internally (never add fluid)
- Easily accessed, adjustable self-closing and self-latching speed valves
- Concealed mechanisms for a stylish, clean, distinctive look and burglary resistant
- Easily installed internally – within the door or frame
- Decorative dress covers included
- Tested to over 1 million open-close cycles
- Meets ADA requirements
- Quietly, self-closes doors up to 220 lbs (100kg)



**D<sup>®</sup> 5 YEAR WARRANTY**



78108513  
PLAIN PIVOT HINGE

77108523  
CLOSER + HINGE

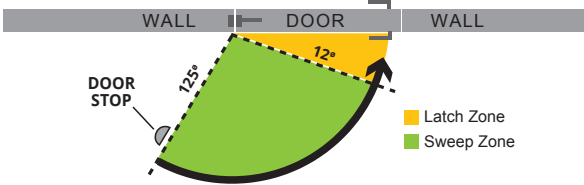


CODE	MODEL	MAX DOOR OPENING	ADJUSTABLE CLOSING SPEED	FINAL SNAP-CLOSE ACTION	VERTICAL (DOOR HEIGHT) ADJUSTABILITY	DEPTH & INCLINATION ADJUSTABILITY	MAX. SELF-CLOSING WEIGHT
77108523	SureClose <sup>®</sup> CONCEALFIT KIT (Hinge/Closer + Hinge Only)	125°	Yes	Yes (12°-0°)	+/- 5/64" (2mm)	5/64"-1/4" (2-6mm)	220 lb (100kg)
78108513	Hinge (Single Unit)	125°	No	No	+/- 5/64" (2mm)	5/64"-1/4" (2-6mm)	N/A

\* **Warranty conditions** vary according to door or gate application and usage. See full Warranty details and limitations on D&D Technologies' website.  
 Door reinforcement hardware available for hollow-core doors.  
 Routing templates and drill jig available for wood doors and frames. Weld boxes available for metal gates.

**STRONG,  
SELF-CLOSING  
PERFORMANCE**

Product Code	Description
77108523	Hydraulic Door Closer With a Plain Door Hinge



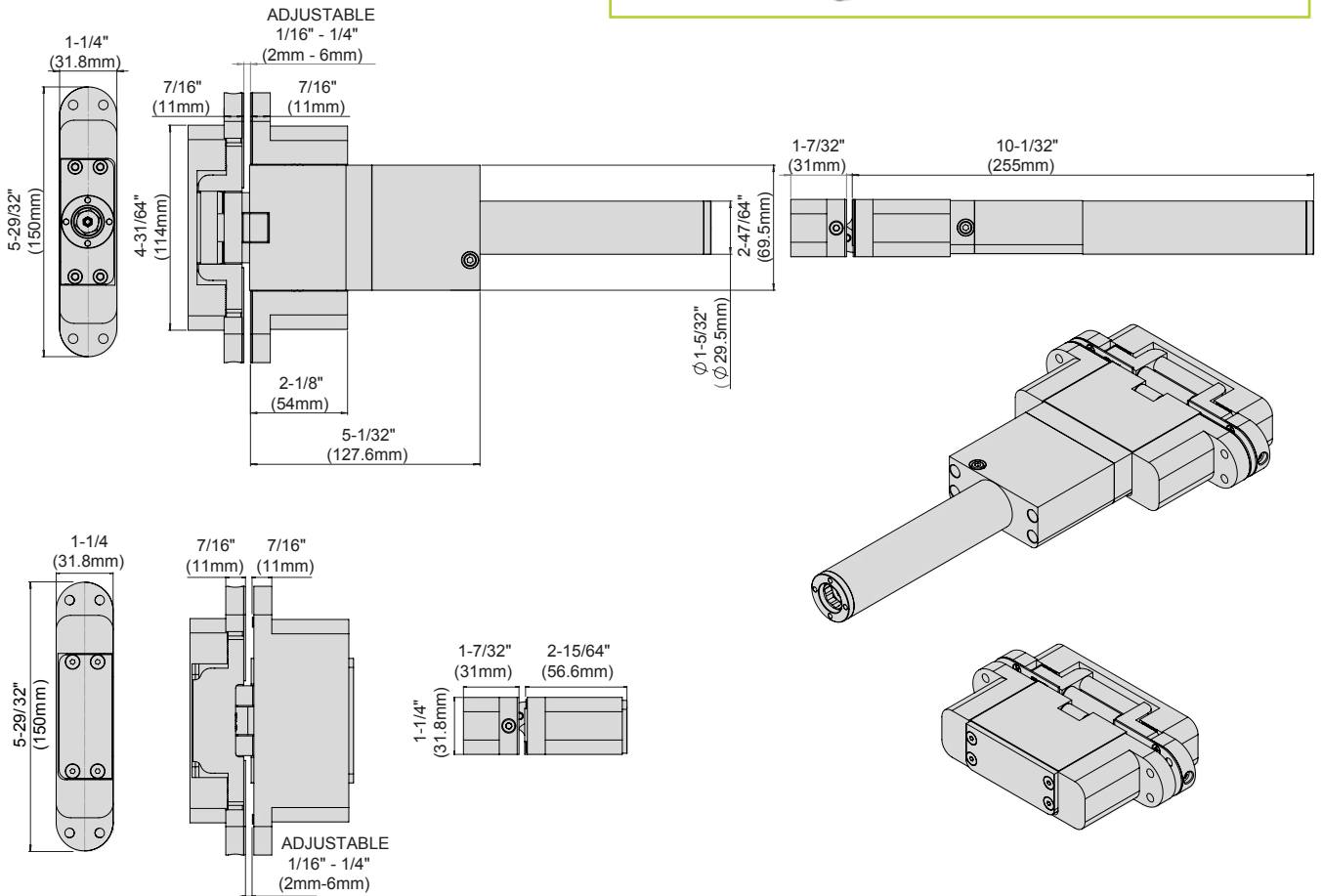
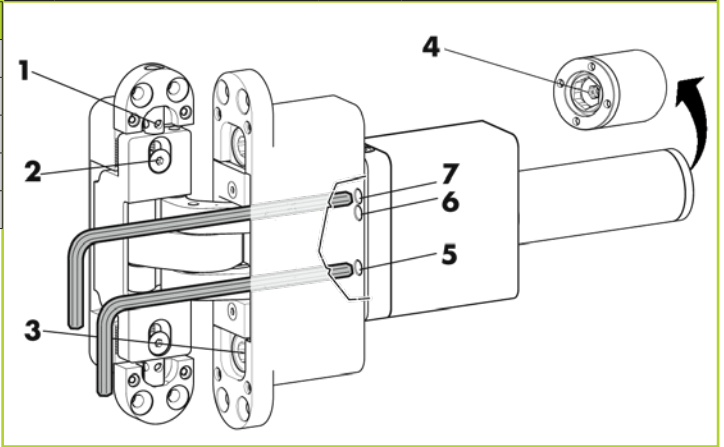
**CAUTION:** A floor-mounted **DOOR STOP** is required to prevent a door opening beyond 125° (see above diagram). Forcing a door beyond a 125° opening may damage closer and door frame. Failure to install a Door Stop where required may void Warranty.

**7 DIFFERENT ADJUSTMENTS FOR PERFECT INSTALLATION**

REF	ADJUSTMENT	UNIT	RANGE
1	Door Height (Vertical)	Both	+/- 3/64" (2mm) with 0.04" (1mm) steps
2	Lateral	Both	+/- 1/16" (1.25mm)
3	Depth and Inclination	Both	Gap between post and door leaf is adjustable from 5/64" (2mm) - 15/64" (6mm)
4	Door Spring Closing Force	Closer	330lbf-395lbf (1470N-1755N)
5	Door Sweep Closing Speed	Closer	125° to 0°
6	Door Sweep Opening Angle	Closer	Steps at 60°, 80°, 100° and 125°
7	Door Latching Speed	Closer	Between 12°-0°

**ONE PAIR, CLOSER + HINGE COMBINATION**

Maximum Door Weight	220 lbs (100kg)
Maximum Door Width	48" (1220mm)
Minimum Door Thickness	1.6" (40mm)
Maximum Opening Angle	125°
Final snap-close action	12°-0°



**Hydraulic, Gate Closer for Center-Hinge Mounted Gates**

- Add-on hydraulic closer - smooth and quiet
- Adjustable self-closing speed & final snap action
- Usable with most center-mounted hinges
- Easy to install: mounts to top of gate
- Self-closes gates up to 180 lb (80kg)
- Horizontally adjusts: up to 4" (100mm) gate gaps
- Opens to, & self-closes from, 90° (no hold-open)
- Maintenance free: never add fluid
- High corrosion resistance - 50-micron anodizing
- Includes gate and post mounting brackets

1 3/16" - 1 7/8"  
(30-48mm)

2" - 4"  
(50-100mm)

Hinge pivot point and gate gap must fall within this range



CODE*	MODEL	DESCRIPTION
72108423	SC 108SF S**	Gate Closer - Aluminum Brackets

**Gate Function**

EASY - Closer		SELF-CLOSING - SAFETY (SF Model)
Models	Bracket Material	Suitable for child/pool safety* DO NOT PROP GATE OPEN
72108423	Aluminum	
Mounting Brackets & Fasteners included		Center Mounted: Center of gate and post are aligned.

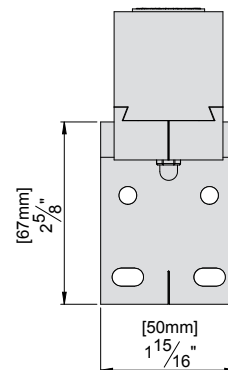
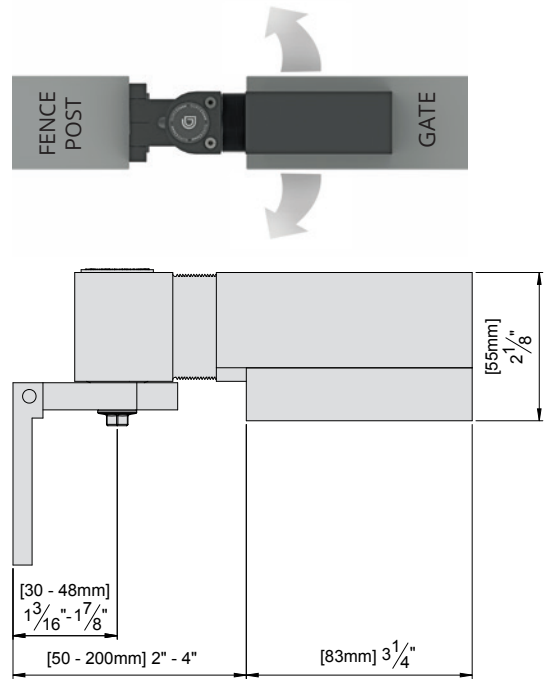
**CAUTION:** When used on swimming pool gates, always consult local authorities for swimming pool Codes. A gate-stop must be installed when using SF models. Gate MUST NOT be allowed to open past 90°. Doing so voids warranty.

- Self-closing Speed adjustable
- Final snap-close action For electric/coded locks

GATE WIDTH	MAX SELF-CLOSING GATE WEIGHT
40" (1000mm) wide	176 lb (80kg)
48" (1200mm) wide	132 lb (60kg)

**CAUTION:** Based on max. gate width 40"W (1000mm) and 48"W (1200mm). For gates with greater W, or if weather conditions such as wind play a significant role, use a different model of SureClose® hinge + closer combination with higher self-closing weight ratings.  
**CAUTION: A gate-stop MUST be installed when using SF models.** Gate MUST NOT be allowed to open past 90°. Doing so voids warranty.  
 \*All EASY closers include fasteners, gate and post mounting brackets.

\* **Warranty conditions** vary according to gate or door application and usage. See full Warranty details and limitations on D&D Technologies' website.  
 All EASY closers include fasteners, gate and post mounting brackets.  
**\*\*Yes (SF)** = Gate will not hold open at 90° (OK for safety gates). Do NOT use a hinge with a 90° hold-open feature (-) for pool/child safety gates.



# Heavy duty hinges tested to over 1 million cycles. Adjustable and powder-coatable.

## Heavy duty shaft (bolt)

On all hinges; gives the highest weight rating in the industry

## Zinc electroplating

- Inhibits rust and corrosion
- No need to grind off before welding
- On all components except stainless steel, aluminum and 'rusted look'

## Post bracket

- Horizontally adjustable for accurate installations
- Precision machining that fully utilizes the adjustment slots and maximizes welding surfaces

## Unique Stover locknut

- Innovative, shaped threads that provide a vibration-resistant friction fit so nut stays firm
- Top thread section is deformed to create two or three locking zones (can be re-used 2-3 times)
- All-metal locknuts withstand higher temperatures than nylon-insert locknuts

## Precision bushing

Distributes gate load for optimal performance and longer life

## Tightest tolerances in the industry

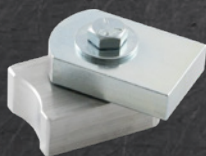
- CNC machined to perfection
- Virtually frictionless rotation

## Hinge Body (on gate)

- Fits round or flat surfaces
- Decorative, brushed finish

## NEW high-temp sealed bearing

- Safe to powder-coat with hinges installed on gate (except CI3850 self-closing hinge and CI3800 Stainless Steel BadAss)
- No greasing, no maintenance – ever
- Hinge options with 1, 2, 3 or 4 bearings
- Performs better than roller cages that require periodic greasing



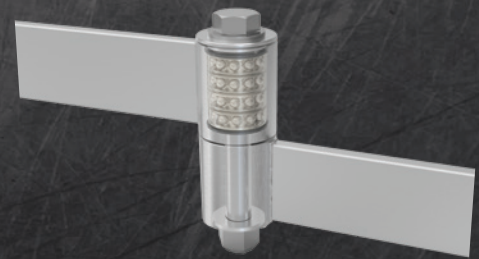
Baby BadAss™  
1 Sealed Bearing



Self-Closing CI3850  
2 Sealed Bearings



Heavy Duty BadAss™  
3 Sealed Bearings



BadAss™ Strap Hinge  
4 Sealed Bearings



CODE	PRODUCT NAME	**GAP VARIANCE	FINISH	NO. OF SEALED BEARINGS	MAX GATE WEIGHT	MAX GATE LOAD	*YOKE MATERIAL	BODY MATERIAL	HEIGHT	WEIGHT
CI3000	Original BadAss™	2 3/8" - 2 7/8" (61-74mm)	Zinc	2	1,100 lb (500kg)	2,000 lb (900kg)	Steel	Steel	3 3/4" (97mm)	2.5 lb (1.1kg)
CI3100	Original BadAss™ Rusted	2 3/8" - 2 7/8" (61-74mm)	Unfinished	2	1,100 lb (500kg)	2,000 lb (900kg)	Steel	Steel	3 3/4" (97mm)	2.5 lb (1.1kg)
CI3200	Alum/Steel BadAss™ Combo	2 3/8" - 2 7/8" (61-74mm)	Unfinished /Zinc	2	600 lb (270kg)	1,000 lb (450kg)	Aluminum	Steel	3 3/4" (97mm)	2.5 lb (1.1kg)
CI3300	Steel/Alum BadAss™ Combo	2 3/8" - 2 7/8" (61-74mm)	Zinc / Unfinished	2	600 lb (270kg)	1,000 lb (450kg)	Steel	Aluminum	3 3/4" (97mm)	2 lb (1kg)
CI3400	Aluminum BadAss™	2 3/8" - 2 7/8" (61-74mm)	Unfinished	2	600 lb (270kg)	1,000 lb (450kg)	Aluminum	Aluminum	3 3/4" (97mm)	2 lb (1kg)
CI3500	Heavy Duty BadAss™	2 3/8" - 2 7/8" (61-74mm)	Zinc	3	1,500 lb (680kg)	3,000 lb (1,360kg)	Steel	Steel	3 3/4" (97mm)	3.5 lb (1.6kg)
CI3520	100 Year BadAss™	2 1/2" - 3" (64-76mm)	Zinc	3	1,500 lb (680kg)	3,000 lb (1,360kg)	Steel	Steel	4 1/8" (104mm)	3.5 lb (1.6kg)
CI3600	Baby BadAss™	2 1/2" - 3" (64-76mm)	Zinc	1	300 lb (140kg)	500 lb (230kg)	Steel	Steel	1 3/8" (33mm)	1 lb (0.5kg)
CI3620	Baby BadAss™ Rusted	2 1/2" - 3" (64-76mm)	Unfinished	1	300 lb (140kg)	500 lb (230kg)	Steel	Steel	1 3/8" (33mm)	1 lb (0.5kg)
CI3650	Baby BadAss™ Aluminum	2 1/2" - 3" (64-76mm)	Unfinished	1	300 lb (140kg)	500 lb (230kg)	Aluminum	Aluminum	1 3/8" (33mm)	0.5 lb (0.2kg)
CI3670	Baby BadAss™ Steel/Alum Combo	2 1/2" - 3" (64-76mm)	Zinc / Unfinished	1	300 lb (140kg)	500 lb (230kg)	Steel	Aluminum	1 3/8" (33mm)	1 lb (0.5kg)
CI3800	Stainless Steel BadAss™ †	2 3/8" - 2 7/8" (61-74mm)	Unfinished	2	1,100 lb (500kg)	2,000 lb (900kg)	Stainless	Stainless	3 3/4" (97mm)	2.5 lb (1.1kg)
CI3850	Self-closing BadAss™ Set † †	2 3/8" - 2 7/8" (61-74mm)	Zinc	3/2	300 lb (140kg)	2,000 lb (900kg)	Steel	Steel	5" (127mm)	5.5 lb (2.5kg)

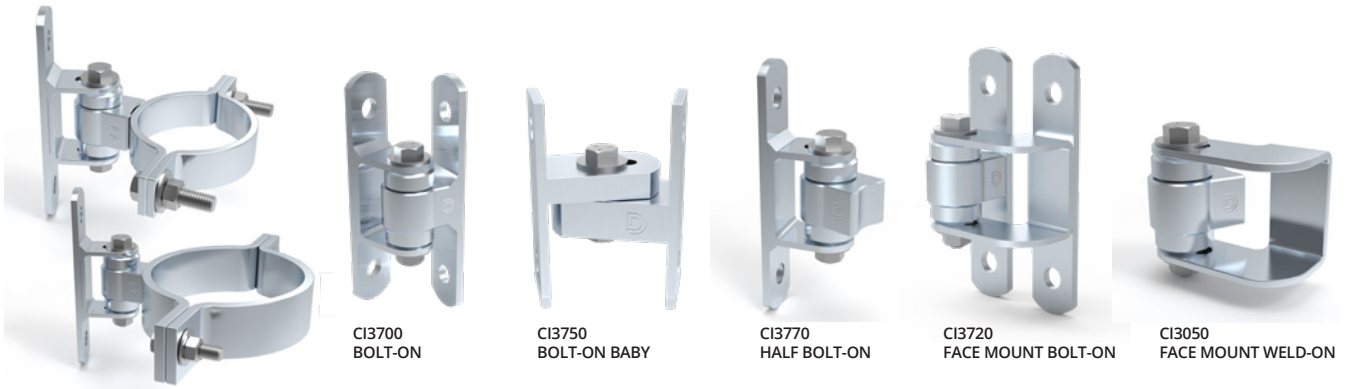
\* For welding yoke to round fence post, weld 1 1/2 x 1/2 x 1/8" (38x13x3mm) A36 steel bar channel to yoke first. After cooling, weld bar channel to fence post. Flat posts: fixed 2.75" (70mm). Round posts: min gap is 0.

\*\*Adjustable yoke for perfect installations. † All components, including the sealed bearings, are stainless steel.

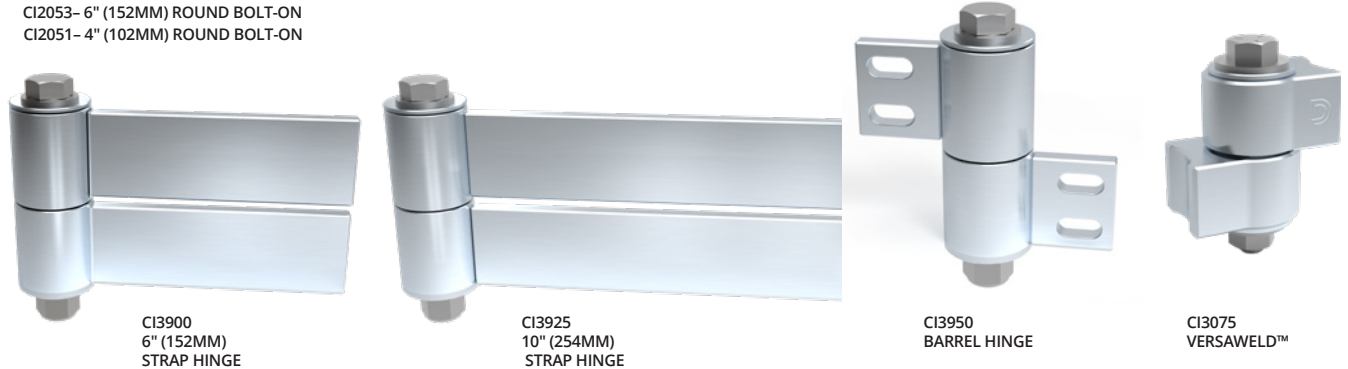
† † Set comes with one self-closing hinge plus one CI3000.

Maximum gate weight 1,100 lb (500kg), but the maximum self-closing weight is 300 lb (140kg). All weight ratings are based upon two hinges.





CI2053- 6" (152MM) ROUND BOLT-ON  
CI2051- 4" (102MM) ROUND BOLT-ON



CI3900  
6" (152MM)  
STRAP HINGE

CI3925  
10" (254MM)  
STRAP HINGE

CI3950  
BARREL HINGE

CI3075  
VERSAWELD™

CODE	PRODUCT NAME	**GAP VARIANCE	FINISH	# OF SEALED BEARINGS	MAX. GATE WEIGHT	MAX. GATE LOAD	YOKE MATERIAL	BODY MATERIAL	HEIGHT INCH/MM	WEIGHT LB/KG
CI2051	4" (102mm) Round Bolt-on BadAss™	2¾"-3⅝" (69-81mm)	Zinc	2	1,000 lb (450kg)	2,000 lb (900kg)	Steel	Steel	7½" (191mm)	5 lb (2.3kg)
CI2053	6" (152mm) Round Bolt-on BadAss™	2¾"-3⅝" (69-81mm)	Zinc	2	1,000 lb (450kg)	2,000 lb (900kg)	Steel	Steel	7½" (191mm)	10 lb (4.5kg)
CI2054	8" (203mm) Round Bolt-on BadAss™	2¾"-3⅝" (69-81mm)	Zinc	2	1,000 lb (450kg)	2,000 lb (900kg)	Steel	Steel	7½" (191mm)	15 lb (6.8kg)
CI3700	Bolt-on BadAss™	2⅞"-3⅝" (74-86mm)	Zinc	2	1,000 lb (450kg)	2,000 lb (900kg)	Steel	Steel	7½" (191mm)	3.5 lb (1.6kg)
CI3750	Baby Bolt-on BadAss™	3"-3½" (76-89mm)	Zinc	1	310 lb (140kg)	510 lb (230kg)	Steel	Steel	4" (102mm)	2.0 lb (1kg)
CI3770	Half Bolt-on BadAss™	2¾"-3⅝" (67-80mm)	Zinc	2	1,000 lb (450kg)	2,000 lb (900kg)	Steel	Steel	7½" (191mm)	2.5 lb (1.1kg)
CI3780	Steel/Aluminum Half Bolt-On	2¾"-3⅝" (67-80mm)	Zinc	2	600 lb (270kg)	1000 lb (450kg)	Steel	Aluminum	7½" (191mm)	2.4 lb (1.1kg)
CI3720	Face Mount Bolt-on BadAss™	½"-1" (13-25mm)	Zinc	2	1,100 lb (500kg)	2,000 lb (900kg)	Steel	Steel	7½" (191mm)	3.8 lb (1.7kg)
CI3050	Face Mount Weld-on BadAss™	½"-1" (13-25mm)	Zinc	2	1,100 lb (500kg)	2,000 lb (900kg)	Steel	Steel	¾" (98mm)	1.8 lb (0.8kg)
CI3900	6" (152mm) Strap Hinge	Fixed ½" (13mm)	Zinc	4	1,500 lb (680kg)	3,000 lb (1,360kg)	Steel	Steel	6" (150mm)	6 lb (2.7kg)
CI3925	10" (254mm) Strap Hinge	Fixed ½" (13mm)	Zinc	4	1,500 lb (680kg)	3,000 lb (1,360kg)	Steel	Steel	6" (150mm)	7.5 lb (3.4kg)
CI3975	Uphill Strap Hinge Set*	Fixed ½" (13mm)	Zinc	4/4	1,500 lb (680kg)	3,000 lb (1,360kg)	Steel	Steel	6" (150mm)	13.5 lb (6.1kg)
CI3950	Barrel Hinge	Fixed ½" (13mm)	Zinc	4	1,500 lb (680kg)	3,000 lb (1,360kg)	Steel	Steel	6" (150mm)	4.0 lb (1.8kg)
CI3075	VersaWeld™ BadAss™	Fixed 2¾" (70mm)	Zinc	2	1,100 lb (500kg)	2,000 lb (900kg)	Steel	Steel	¾" (95mm)	2.2 lb (1.0kg)

\* For welding yoke to round fence post, weld 1½ x ½ x ⅝" (38x13x3mm) A36 steel bar channel to yoke first. After cooling, weld bar channel to fence post. Flat posts: fixed 2.75" (70mm). Round posts: min gap is 0.

\*\*Adjustable yoke for perfect installations. † All components, including the sealed bearings, are stainless steel.

† † Set comes with one self-closing hinge plus one CI3000.

Maximum gate weight 1,100 lb (500kg), but the maximum self-closing weight is 300 lb (140kg). All weight ratings are based upon two hinges.

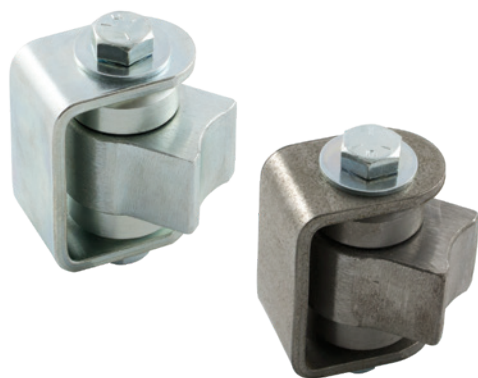
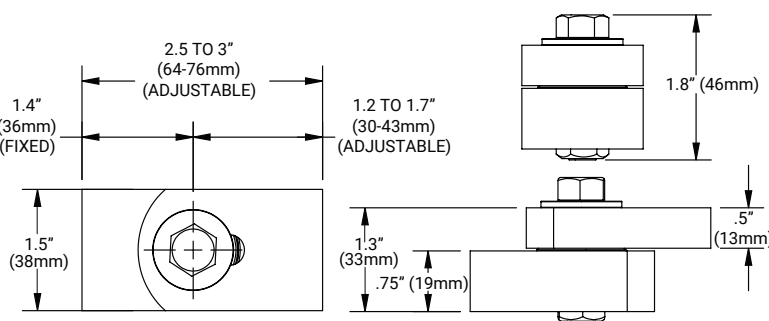


**CI3600 – Baby BadAss™ Steel**  
**CI3620 – Baby BadAss™ ‘Rusted’**  
**CI3650 – Baby BadAss™ Aluminum**  
**CI3670 – Baby BadAss™ Combo**



CODE	FINISH	FIXING	GAP VARIANCE	BRACKET	BODY	HEIGHT INCH/MM	WEIGHT LB/KG
CI3600	Zinc	Weld	2½”-3” (64-76mm)	Steel	Steel	1¾” (33mm)	1 lb (0.5kg)
CI3620	Unfinished	Weld	2½”-3” (64-76mm)	Steel	Steel	1¾” (33mm)	1 lb (0.5kg)
CI3650	Unfinished	Weld	2½”-3” (64-76mm)	Aluminum	Aluminum	1¾” (33mm)	1 lb (0.5kg)
CI3670	Zinc/ Unfinished	Weld	2½”-3” (64-76mm)	Steel	Aluminum	1¾” (33mm)	1 lb (0.5kg)

- One sealed maintenance free bearing (no greasing)
- High-temp bearings, safe to powder-coat
- Designed for lighter gates
- Fastener slots for easy adjustment
- Ideal for square or round post installations
- **Load rating per gate:** 500 lb (230kg)
- **Maximum gate weight:** 300 lb (140kg)

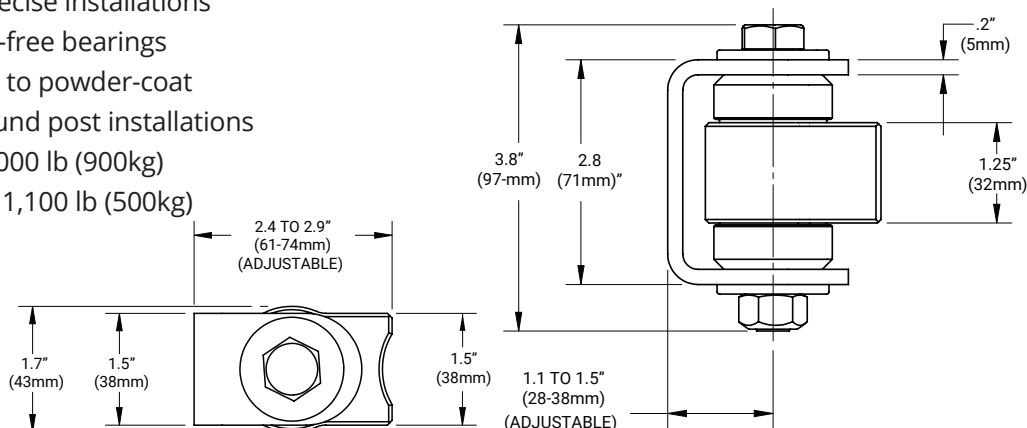


**CI3000 – Original BadAss™**  
**CI3100 – Original BadAss™ ‘Rusted’**



CODE	FINISH	FIXING	GAP VARIANCE	BRACKET	BODY	HEIGHT INCH/MM	WEIGHT LB/KG
CI3000	Zinc	Weld	2¾”-2⅞” (61-74mm)	Steel	Steel	3¾” (97mm)	2.5 lb (1.1kg)
CI3100	Unfinished	Weld	2¾”-2⅞” (61-74mm)	Steel	Steel	3¾” (97mm)	2.5 lb (1.1kg)

- Adjustable bracket for precise installations
- Two sealed maintenance-free bearings
- High-temp bearings, safe to powder-coat
- Ideal for both flat and round post installations
- **Load rating per gate:** 2,000 lb (900kg)
- **Maximum gate weight:** 1,100 lb (500kg)



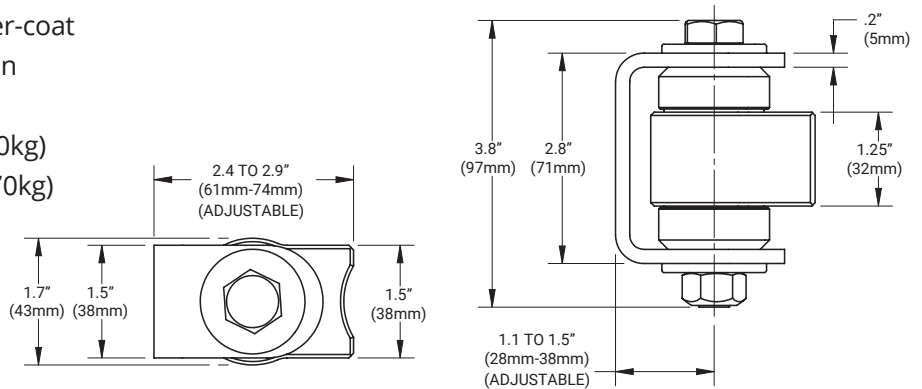


**CI3200 - BadAss™ Combo Steel Body**  
**CI3300 - BadAss™ Combo Aluminum Body**  
**CI3400 - The Aluminum BadAss™**



CODE	FINISH	FIXING	GAP VARIANCE	BRACKET	BODY	HEIGHT INCH/MM	WEIGHT LB/KG
CI3200	Unfinished/ Zinc	Weld	2 <sup>3</sup> / <sub>8</sub> "-2 <sup>1</sup> / <sub>8</sub> " (61-74mm)	Aluminum	Steel	3 <sup>3</sup> / <sub>4</sub> " (97mm)	2.5 lb (1.1kg)
CI3300	Unfinished/ Zinc	Weld	2 <sup>3</sup> / <sub>8</sub> "-2 <sup>1</sup> / <sub>8</sub> " (61-74mm)	Steel	Aluminum	3 <sup>3</sup> / <sub>4</sub> " (97mm)	2 lb (1kg)
CI3400	Unfinished	Weld	2 <sup>3</sup> / <sub>8</sub> "-2 <sup>1</sup> / <sub>8</sub> " (61-74mm)	Aluminum	Aluminum	3 <sup>3</sup> / <sub>4</sub> " (97mm)	2 lb (1kg)

- Adjustable bracket for precise installations
- High-temp bearings, safe to powder-coat
- Perfect for that high-end installation
- Round or plate post installations
- **Load rating per gate:** 1,000 lb (450kg)
- **Maximum gate weight:** 600 lb (270kg)

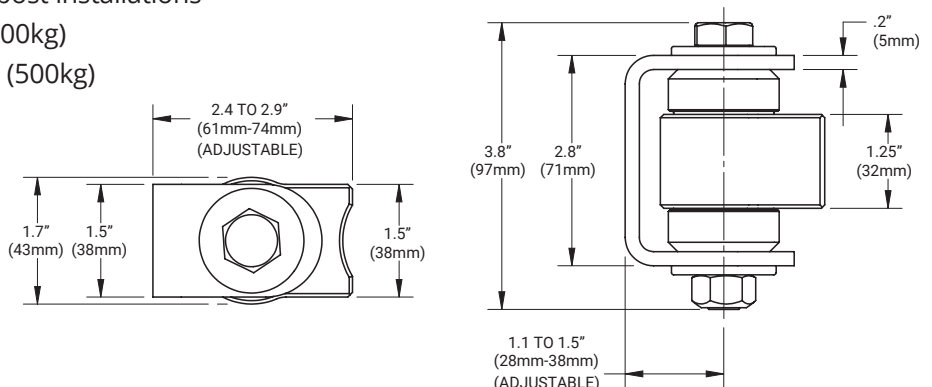


**CI3800 - Stainless Steel BadAss™**



CODE	FINISH	FIXING	GAP VARIANCE	BRACKET	BODY	HEIGHT INCH/MM	WEIGHT LB/KG
CI3800	Unfinished	Weld	2 <sup>3</sup> / <sub>8</sub> "-2 <sup>1</sup> / <sub>8</sub> " (61-74mm)	Stainless	Stainless	3 <sup>3</sup> / <sub>4</sub> " (97mm)	2.5 lb (1.1kg)

- 304 stainless steel includes the bearings, shaft (bolt), washers and locknut
- Two sealed maintenance free bearings (no greasing)
- Adjustable yoke for perfect installations
- Ideal for both square and round post installations
- **Load rating per gate:** 2,000 lb (900kg)
- **Maximum gate weight:** 1,100 lb (500kg)



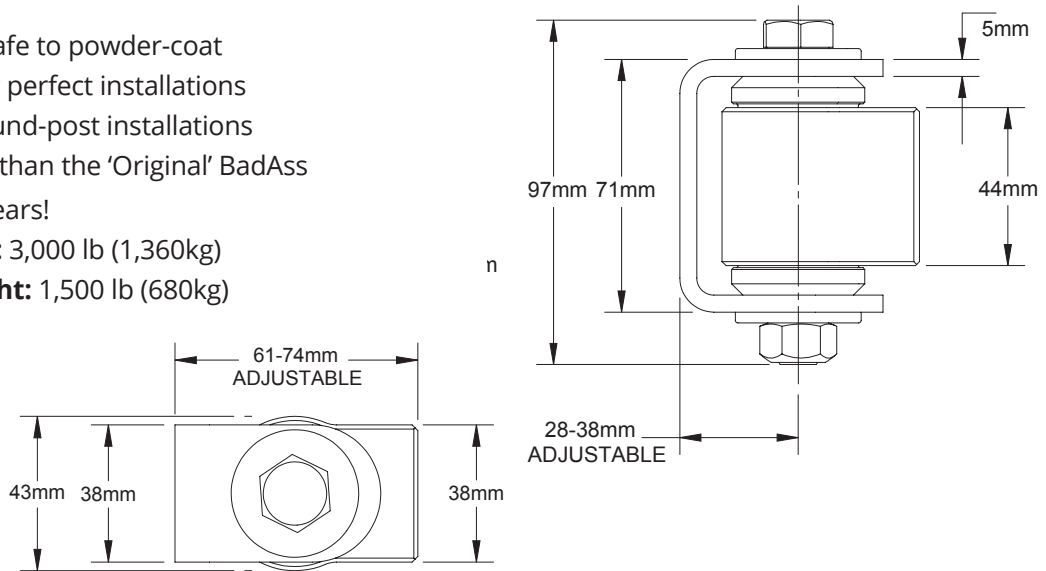


### CI3500 – Heavy Duty BadAss™



CODE	FINISH	FIXING	GAP VARIANCE	BRACKET	BODY	HEIGHT INCH/MM	WEIGHT LB/KG
CI3500	Zinc	Weld	2 3/8"–2 7/8" (61-74mm)	Steel	Steel	3 3/4" (97mm)	3.5 lb (1.6kg)

- High-temp bearings safe to powder-coat
- Adjustable bracket for perfect installations
- Ideal for square or round-post installations
- Holds 50% more load than the 'Original' BadAss
- Guaranteed for 100 years!
- **Load rating per gate:** 3,000 lb (1,360kg)
- **Maximum gate weight:** 1,500 lb (680kg)

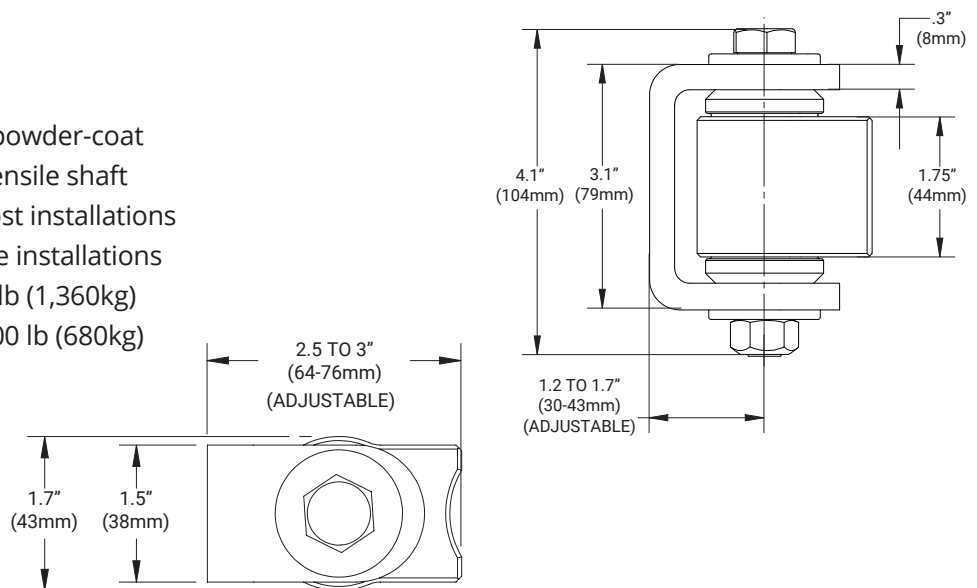


### CI3520 – 100 Year BadAss™



CODE	FINISH	FIXING	GAP VARIANCE	BRACKET	BODY	HEIGHT INCH/MM	WEIGHT LB/KG
CI3520	Zinc	Weld	2 1/2"–3" (64-76mm)	Steel	Steel	4" (104mm)	3.5 lb (1.6kg)

- High-temp bearings, safe to powder-coat
- Thicker bracket and higher-tensile shaft
- Ideal for square- or round-post installations
- Adjustable bracket for precise installations
- **Load rating per gate:** 3,000 lb (1,360kg)
- **Maximum gate weight:** 1,500 lb (680kg)



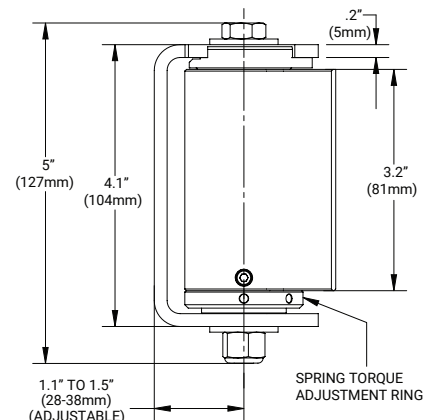
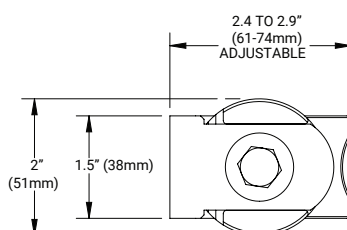


## CI3850 – Self-Closing BadAss™ Set



PER HINGE

CODE	FINISH	FIXING	GAP VARIANCE	BRACKET	BODY	HEIGHT INCH/MM	WEIGHT LB/KG
CI3850	Zinc	Weld	2 <sup>3</sup> / <sub>8</sub> "–2 <sup>7</sup> / <sub>8</sub> " (61-74mm)	Steel	Steel	5" (127mm)	5.5 lb (2.5kg)



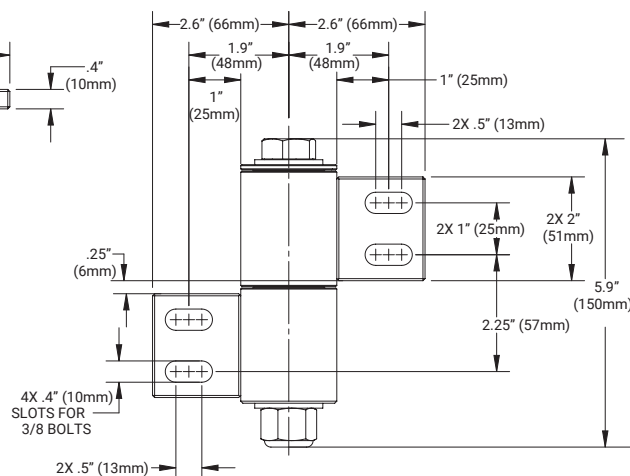
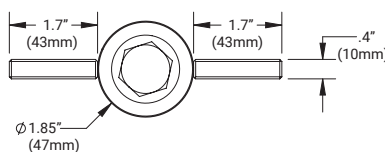
- 1 Self-closing hinge (3 bearings) + 1 Original BadAss™ hinge (2 bearings)
- Easy to install, heavy duty self-closing hinge
- 5 tension-adjustment settings on self-closing hinge
- Gate swings from -5° to 110°
- Ideal for panic bar installations
- Closer is built into the hinge (unable to powder-coat)
- **Load rating per gate:** 2,000 lb (900kg)
- **Self-closing maximum gate weight:** 300 lb (130kg)



## CI3950 – BadAss™ Barrel Hinge



CODE	FINISH	FIXING	GAP VARIANCE	BRACKET	BODY	HEIGHT INCH/MM	WEIGHT LB/KG
CI3950	Zinc	Bolt-On	3"–3 <sup>1</sup> / <sub>2</sub> " (76-89mm)	Steel	Steel	4" (102mm)	2.0 lb (1kg)



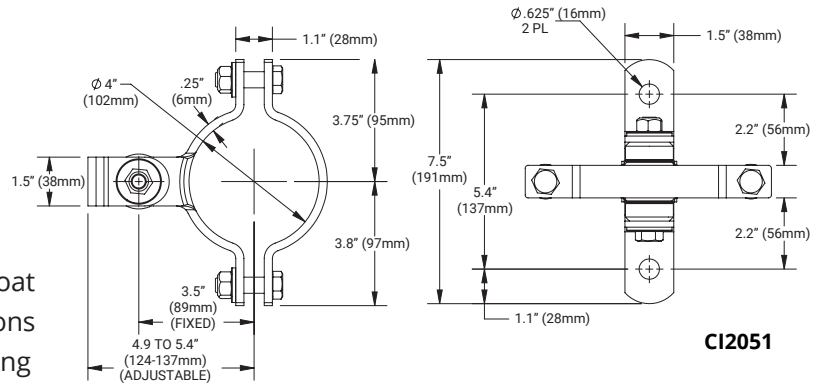
- The BadAss™ Barrel Hinge is the strongest and most versatile gate hinge on the market
- High-temp bearings, safe to powder-coat
- Ideal for nearly all flat post installations
- Bolt-on and weld-on installations
- Swings 180° if required
- **Load rating per gate:** 3,000 lb (1,360kg)
- **Maximum gate weight:** 1,500 lb (680kg)



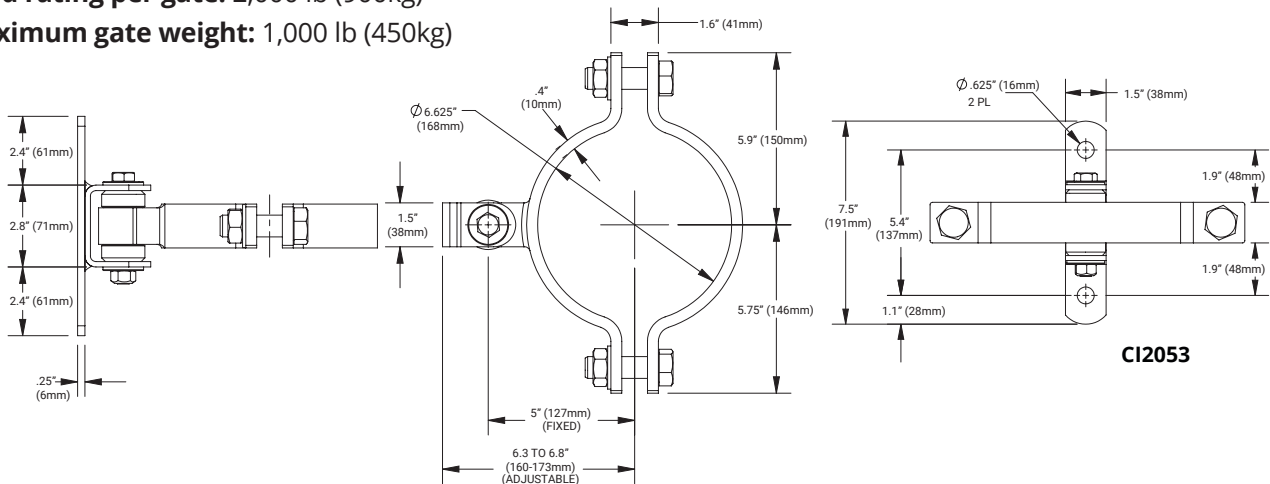
## Round Bolt-On BadAss™ CI2051- 4" (100mm) & CI2053 - 6" (150mm)

CODE	FINISH	FIXING	GAP VARIANCE	BRACKET	BODY	HEIGHT INCH/MM	WEIGHT LB/KG
CI2051	Zinc	Bolt-On	2¾"-3¾" (69-81mm)	Steel	Steel	7½" (191mm)	5 lb (2.3kg)
CI2053	Zinc	Bolt-On	2¾"-3¾" (69-81mm)	Steel	Steel	7½" (191mm)	10 lb (4.5kg)

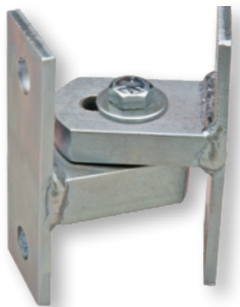
- For round post to square post
- High-temp bearings, safe to powder-coat
- Adjustable barrel for precise installations
- Flat, bolt-on brackets for through bolting
- **Load rating per gate:** 2,000 lb (900kg)
- **Maximum gate weight:** 1,000 lb (450kg)



CI2051



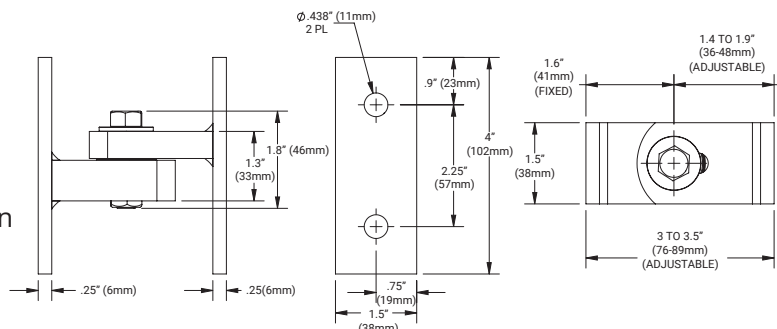
CI2053



## CI3750 - Baby Bolt-On BadAss™

CODE	FINISH	FIXING	GAP VARIANCE	BRACKET	BODY	HEIGHT INCH/MM	WEIGHT LB/KG
CI3750	Zinc	Bolt-On	3"-3½" (76-89mm)	Steel	Steel	4" (102mm)	2 lb (1kg)

- Adjustable bracket for perfect installations
- Flat bolt-on brackets for through bolting
- High-temp bearings, safe to powder-coat
- For installation where welding is not an option
- **Load rating per gate:** 510 lb (230kg)
- **Maximum gate weight:** 310 lb (140kg)

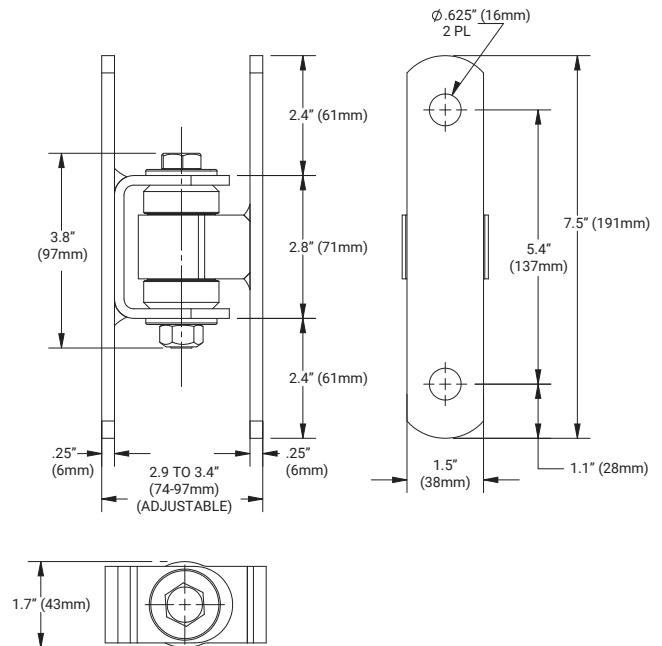




### CI3700 - Bolt-On BadAss™

CODE	FINISH	FIXING	GAP VARIANCE	BRACKET	BODY	HEIGHT INCH/MM	WEIGHT LB/KG
CI3700	Zinc	Bolt-On	2 7/8" - 3 1/2" (74-86mm)	Steel	Steel	7 1/2" (191mm)	3.5 lb (1.6kg)

- Bolt-On BadAss™ hinges were designed to be used on gates where welding to a post or gate is not an option (no field welder)
- High-temp bearings, safe to powder-coat
- Adjustable bracket for round or square posts
- Flat, bolt-on brackets for through-bolting
- **Load rating per gate:** 2,000 lb (900kg)
- **Maximum gate weight:** 1,000 lb (450kg)



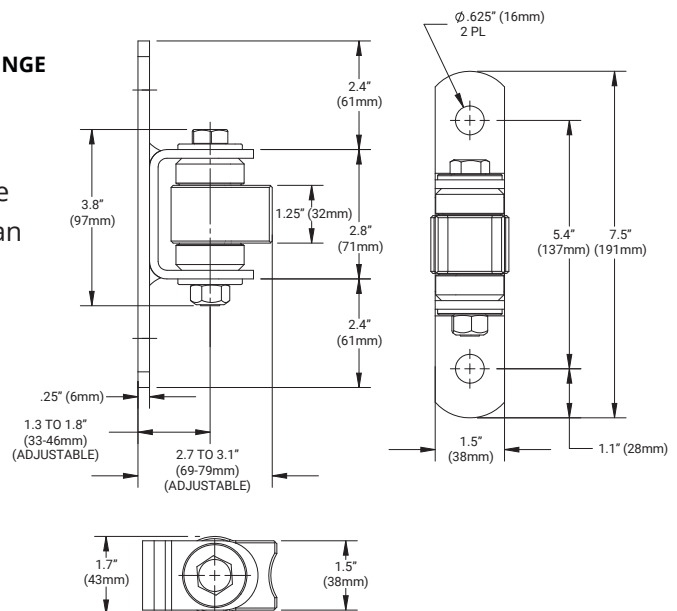
### CI3770 - Half Bolt-On BadAss™ CI3780 Steel/Aluminum Half Bolt-On BadAss™

CODE	FINISH	FIXING	GAP VARIANCE	BRACKET	BODY	HEIGHT INCH/MM	WEIGHT LB/KG
CI3770	Zinc	Bolt-On / Weld	2 3/4" - 3 1/2" (67-80mm)	Steel	Steel	7 1/2" (191mm)	2.5 lb (1.1kg)
CI3780	Zinc	Bolt-On / Weld	2 3/4" - 3 1/2" (67-80mm)	Steel	Aluminum	7 1/2" (191mm)	2.4 lb (1.1kg)

- The Half Bolt-On BadAss™ hinges were designed to be used on gates where welding to a post or gate is not an option (no field welder)
- High-temp bearings, safe to powder-coat
- Welds to aluminum gates and bolts to fence post
- Horizontally adjustable to 1/2" (13mm)
- **CI3770 Load rating per gate:** 2,000 lb (900kg)
- **Maximum gate weight:** 1000 lb (450kg)
- **CI3780 Load rating per gate:** 1,000 lb (450kg)
- **Maximum gate weight:** 600 lb (270kg)



PER HINGE



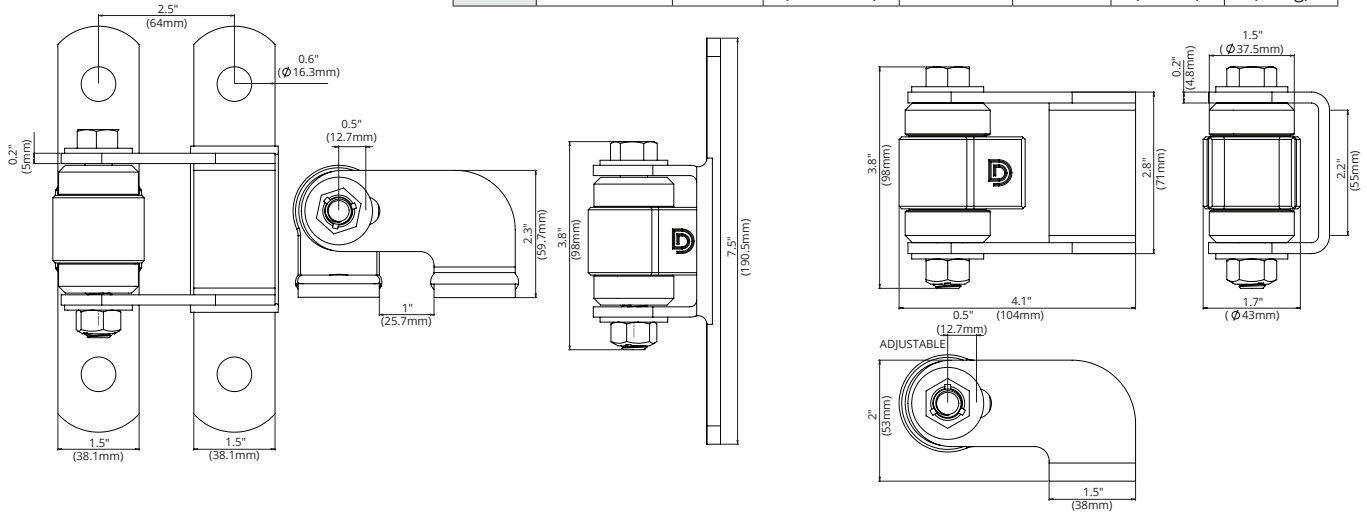


**CI3720 – Face Mount Bolt-On BadAss™**  
**CI3050 – Face Mount Weld-On BadAss™**

- Opens to 180°
- Achieve gate gaps as small as ½" (13mm)
- Horizontally adjustable to ½" (13mm)
- Both weld-on and bolt-on models available
- High-temp bearings, safe to powder-coat
- **Load rating per gate: 2,000 lb (900kg)**
- **Maximum gate weight: 1,100 lb (500kg)**



CODE	FINISH	FIXING	GAP VARIANCE	BRACKET	BODY	HEIGHT INCH/MM	WEIGHT LB/KG
CI3720	Zinc	Bolt-On	½"-1" (13-25mm)	Steel	Steel	7½" (191mm)	3.8 lb (1.7kg)
CI3050	Zinc	Weld	½"-1" (13-25mm)	Steel	Steel	3¾" (98mm)	1.8 lb (0.8kg)

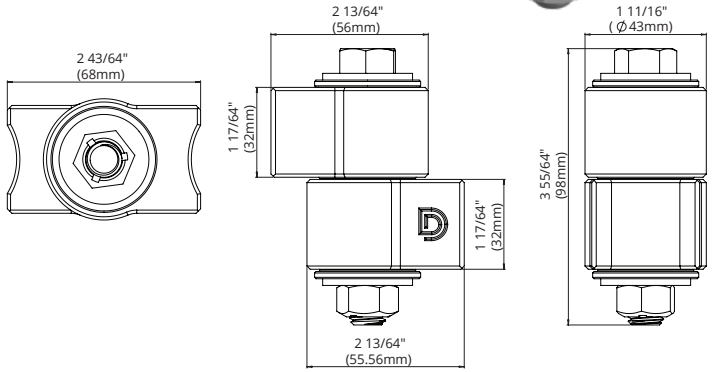


**CI3075 – VersaWeld™ BadAss™ Hinge**

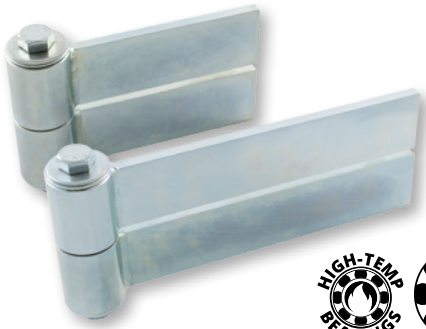
CODE	FINISH	FIXING	GATE GAP	BRACKET	BODY	HEIGHT INCH/MM	WEIGHT LB/KG
CI3075	Zinc	Weld-On	Flat posts: Fixed 2¾" (70mm). Round posts: no gap.	Steel	Steel	3¾" (95mm)	2.2 lb (1kg)



- One simple hinge that welds on nearly any gate right out of the box
- Fits either flat or round posts or gates no adaptors needed
- High-temp bearings, safe to powder-coat
- Smoother than traditional block or barrel hinges
- 2 sealed ball bearings
- Maintenance free, never needs lubrication
- **Load rating per gate: 2,000 lb (900kg)**
- **Maximum gate weight: 1,100 lb (500kg)**







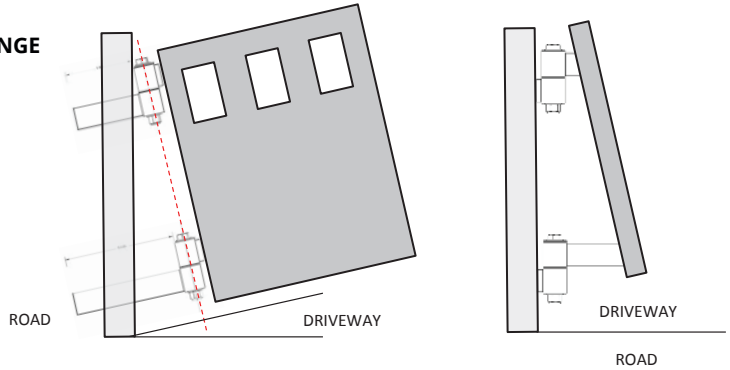
## CI3975 Uphill BadAss™ Strap Hinge Set

(Includes: 1x CI3900 + 1x CI3925)

CODE	FINISH	FIXING	GAP VARIANCE	BRACKET	BODY	HEIGHT INCH/MM	WEIGHT LB/KG
CI3975	Zinc	Weld	Fixed 1/2" (13mm)	Steel	Steel	6" (150mm)	13.5 lb (6.1kg)

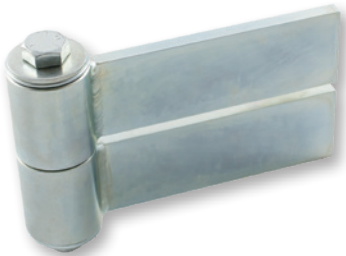


PER HINGE



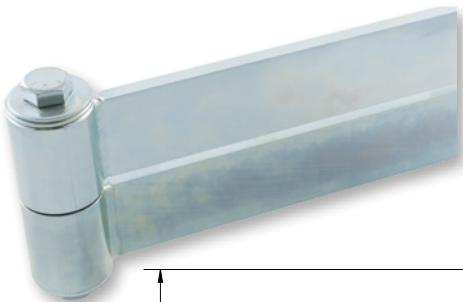
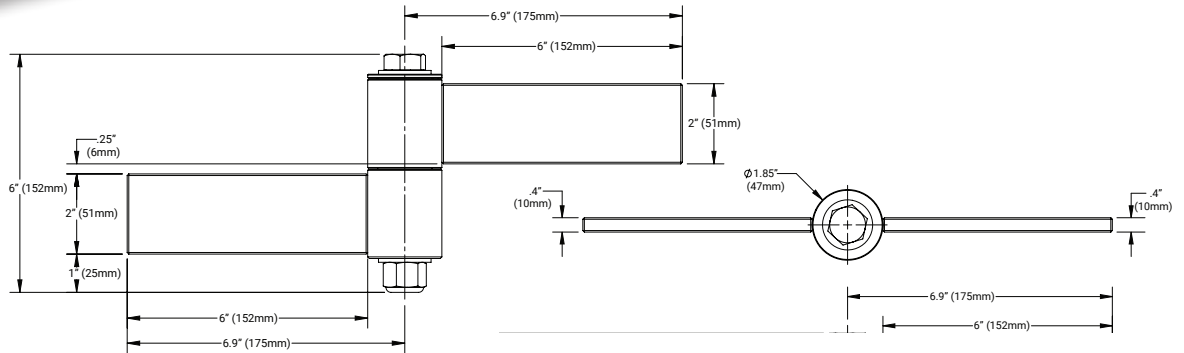
SLOPE GRADIENT MATRIX AVAILABLE ON D&D'S WEBSITE OR BY REQUEST

- Suitable for motorized, uphill or heavy gates
- High-temp bearings safe to powder-coat
- For square-posted, weld-on installations
- Zinc electroplated external components
- Swings 180°; fixed gap variance 1/2" (13mm)
- Leaf straps can be cut to length
- **Load rating per gate:** 3,000 lb (1,360kg)
- **Maximum gate weight:** 1,500 lb (680kg)



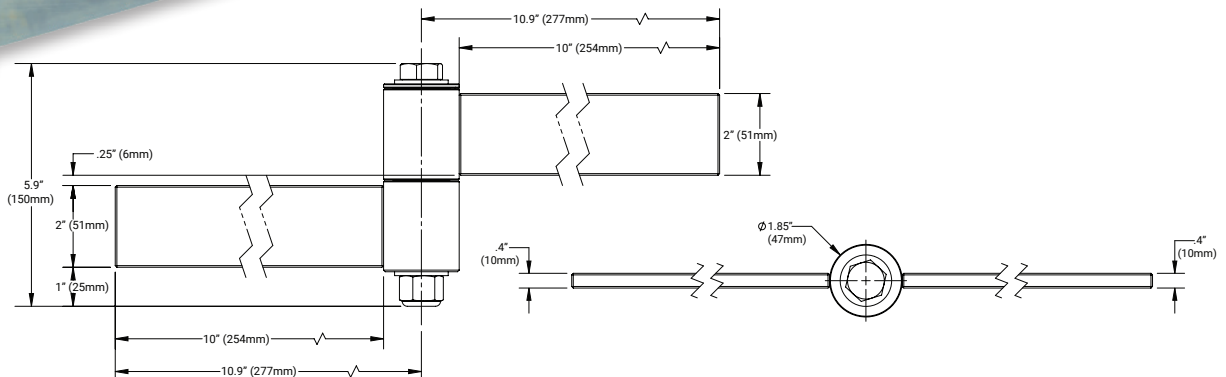
## CI3900 - 6" (152mm) BadAss™ Strap-Hinge

CODE	FINISH	FIXING	GAP VARIANCE	BRACKET	BODY	HEIGHT INCH/MM	WEIGHT LB/KG
CI3900	Zinc	Weld	Fixed 1/2" (13mm)	Steel	Steel	6" (150mm)	6 lb (2.7kg)



## CI3925 - 10" (245mm) BadAss™ Strap-Hinge

CODE	FINISH	FIXING	GAP VARIANCE	BRACKET	BODY	HEIGHT INCH/MM	WEIGHT LB/KG
CI3925	Zinc	Fixed 1/2" (13mm)	3"-3 1/2" (76-89mm)	Steel	Steel	6" (150mm)	7.5 lb (3.4kg)



# Anatomy of a Shut-It<sup>®</sup> gate wheel

## Hardest Steel

- At Shut-It<sup>®</sup> we use the hardest steel in the industry on our wheels, making them literally Hard to the Core (30 RC Rated)

## Zinc Electroplating

- Long lasting rust and corrosion protection
- On all wheel components except aluminum carriage plates

## Tightest tolerance in the industry

- Virtually frictionless rotation

## Spacer (bushing)

- Spacer options for 1½" (38mm) and 2" (51mm) wide gate profiles
- Distributes load directly onto the center ring of the sealed bearings for optimal performance and long life

## Two Sealed Bearings

- Require no greasing
- Maintenance free

## Narrow Wheel Profile

- Reduces possibility of wheel hitting debris and running off track

FOR CANTILEVER AND SLIDING GATE INSTALLATIONS SEE P.72-74

## Carriage Plates

- Most versatile in assuring proper spacing under gates
- No need to stock multiple wheel boxes
- Meets UL 325 Safety Standard
- Less obtrusive than wheel boxes
- Fits to all common gate widths
- Vertically adjustable
- Available in aluminum and steel





CI2240  
HARDCORE™ CANTILEVER  
WHEEL ASSEMBLY



CI2300  
HARDCORE™ GATE  
GUIDE ASSEMBLY



CI2515  
HARDCORE™ V-GROOVE WHEEL  
WITH CARRIAGE PLATES



CI2620  
HARDCORE™ V-GROOVE WHEEL

CODE	PRODUCT NAME**	FIXING METHOD	FINISH	# OF SEALED BEARINGS	MAX GATE WEIGHT	MAX GATE LOAD	WHEEL MATERIAL	CARRIAGE PLATE MATERIAL	HEIGHT INCH/MM	WEIGHT LB/KG
CI2140	4" (102mm) Carriage Plate Set - Steel ††	Weld	Zinc	-	-	-	Steel	Steel	4" (102mm)	2 lb (1kg)
CI2140A	4" (102mm) Carriage Plate Set - Aluminum ††	Weld	Zinc	-	-	-	Steel	Aluminum	4" (102mm)	1.5 lb (0.7kg)
CI2160	6" (152mm) Carriage Plate Set - Steel ††	Weld	Zinc	-	-	-	Steel	Steel	6" (152mm)	3.5 lb (1.6kg)
CI2160A	6" (152mm) Carriage Plate Set - Aluminum ††	Weld	Zinc	-	-	-	Steel	Aluminum	6" (152mm)	2 lb (1kg)
CI2240	4" (102mm) Cantilever Wheel Assembly	Weld	Zinc	2	1,500 lb (680kg)	3,000 lb (1,360kg)	Steel	Steel	6" (152mm)	5 lb (2.3kg)
CI2260	6" (152mm) Cantilever Wheel Assembly	Weld	Zinc	2	1,500 lb (680kg)	3,000 lb (1,360kg)	Steel	Steel	8" (203mm)	10.5 lb (4.8kg)
CI2300	Guide Assembly	Weld	Zinc	2	-	-	Steel	-	6" (152mm)	4 lb (1.8kg)
CI2350	Extended Guide Assembly	Weld	Zinc	2	-	-	Steel	-	10" (254mm)	4.5 lb (2kg)
CI2340	4" (102mm) Carriage Cap	Weld	Zinc	-	-	-	Steel	-	6" (152mm)	1 lb (0.5kg)
CI2360	6" (152mm) Carriage Cap	Weld	Zinc	-	-	-	Steel	-	8" (203mm)	1.5 lb (0.7kg)
CI2415	4" (102mm) Wheel - 1½" (38mm) Frame	Bolts to plates	Zinc	2	1,500 lb (680kg)	3,000 lb (1,360kg)	Steel	-	4" (102mm)	4.5 lb (2kg)
CI2420	4" (102mm) Wheel - 2" (51mm) Frame	Bolts to plates	Zinc	2	1,500 lb (680kg)	3,000 lb (1,360kg)	Steel	-	4" (102mm)	4.5 lb (2kg)
CI2515	4" (102mm) Wheel - 1½" (38mm) Frame Set *	Weld	Zinc	2	1,500 lb (680kg)	3,000 lb (1,360kg)	Steel	Steel	4" (102mm)	6 lb (2.7kg)
CI2520	4" (102mm) Wheel - 2" (51mm) Frame Set *	Weld	Zinc	2	1,500 lb (680kg)	3,000 lb (1,360kg)	Steel	Steel	4" (102mm)	6 lb (2.7kg)
CI2615	6" (152mm) Wheel - 1½" (38mm) Frame	Bolts to plates	Zinc	2	2,200 lb (1,000kg)	5,000 lb (2,270kg)	Steel	-	6" (152mm)	9 lb (4kg)
CI2620	6" (152mm) Wheel - 2" (51mm) Frame	Bolts to plates	Zinc	2	2,200 lb (1,000kg)	5,000 lb (2,270kg)	Steel	-	6" (152mm)	9.5 lb (4.3kg)
CI2625	6" (152mm) Wheel - For Wheel Boxes †	Bolts to box	Zinc	2	2,200 lb (1,000kg)	5,000 lb (2,270kg)	Steel	-	6" (152mm)	9.5 lb (4.3kg)
CI2715	6" (152mm) Wheel - 1½" (38mm) Frame Set *	Weld	Zinc	2	2,200 lb (1,000kg)	5,000 lb (2,270kg)	Steel	Steel	6" (152mm)	12 lb (5.4kg)
CI2720	6" (152mm) Wheel - 2" (51mm) Frame Set *	Weld	Zinc	2	2,200 lb (1,000kg)	5,000 lb (2,270kg)	Steel	Steel	6" (152mm)	12.5 lb (6kg)

All weight ratings are based upon two wheels. \* Includes one wheel and two slotted carriage plates.

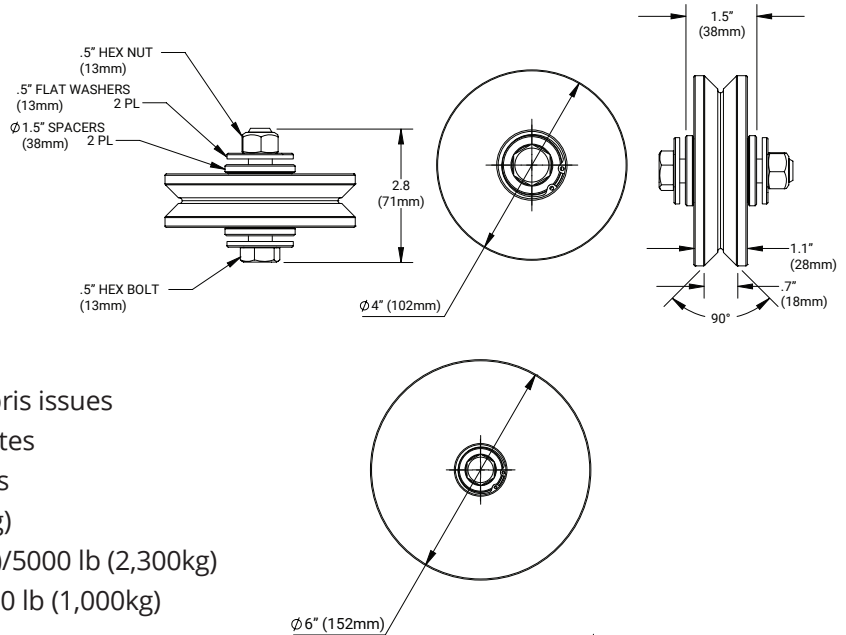
\*\* All wheels include axle bolt, washers and locknuts.

† For retrofit/repair †† Set includes two slotted carriage plates.



## V-Groove Wheel for 1 1/2" (38mm) Gate Frame

CODE	FINISH	FIXING	MAX GATE WEIGHT	WHEEL	HEIGHT INCH/MM	WEIGHT LB/KG
CI2415	Zinc	Bolts to plates	1,500 lb (680kg)	Steel	4" (102mm)	4.5 lb (2kg)
CI2615	Zinc	Bolts to plates	2,200 lb (1,000kg)	Steel	6" (152mm)	9 lb (4kg)



**CI2415 - 4" (102mm)**  
**CI2615 - 6" (152mm)**

- Narrow width to reduce friction and debris issues
- This wheel does not include carriage plates
- Adjustable plates for perfect installations
- Super-hard cold rolled steel (30RC rating)

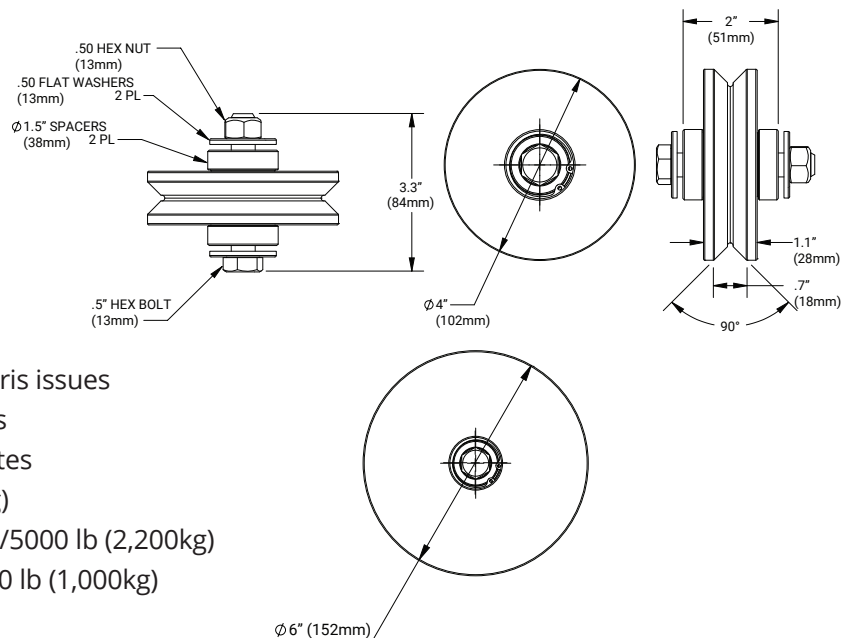
**Load rating per gate:** 3,000 lb (1,360kg)/5000 lb (2,300kg)

**Max gate weight:** 1,500 lb (680kg) /2,200 lb (1,000kg)



## V-Groove Wheel for 2" (51mm) Gate Frame

CODE	FINISH	FIXING	MAX GATE WEIGHT	WHEEL	HEIGHT INCH/MM	WEIGHT LB/KG
CI2420	Zinc	Bolts to plates	1,500 lb (680kg)	Steel	4" (102mm)	4.5 lb (2kg)
CI2620	Zinc	Bolts to plates	2,200 lb (1,000kg)	Steel	6" (152mm)	9.5 lb (4.3kg)



**CI2420 - 4" (102mm)**  
**CI2620 - 6" (152mm)**

- Narrow width to reduce friction and debris issues
- Adjustable plates for perfect installations
- This wheel does not include carriage plates
- Super-hard cold rolled steel (30RC rating)

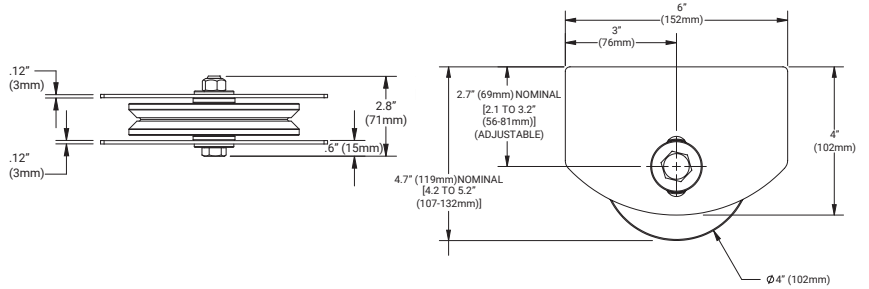
**Load rating per gate:** 3,000 lb (1,360kg)/5000 lb (2,200kg)

**Max gate weight:** 1,500 lb (680kg) /2,200 lb (1,000kg)



## Wheel with Carriage Plates for 1½" (38mm) Gate Frame

CODE	FINISH	FIXING	MAX GATE WEIGHT	WHEEL	PLATE	HEIGHT INCH/MM	WEIGHT LB/KG
CI2515	Zinc	Weld	1,500 lb (680kg)	Steel	Steel	4½" (119mm)	6 lb (2.7kg)
CI2715	Zinc	Bolts to plates	2,200 lb (1,000kg)	Steel	Steel	7½" (188mm)	12 lb (5kg)

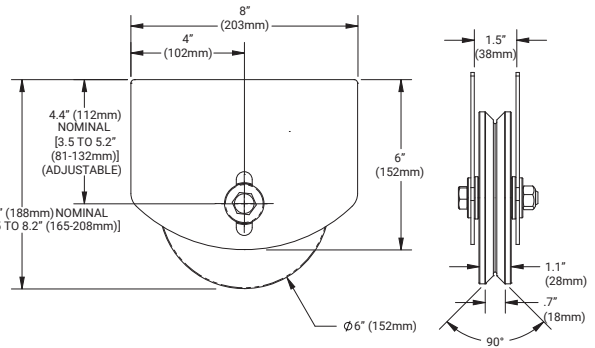


**CI2515 - 4" (102mm)**  
**CI2715 - 6" (152mm)**

- Adjustable plates for perfect installations
- Includes carriage plates, ideal for UL325 installation
- Narrow width to reduce friction and debris issues
- Super-hard cold rolled steel (30RC rating)

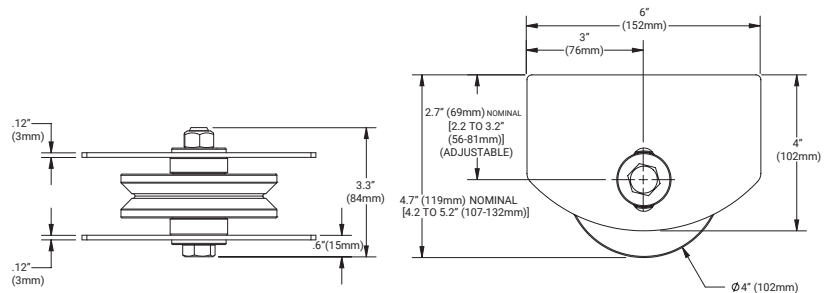
**Load rating per gate:** 3,000 lb (1,360kg)/5000 lb (2,300kg)

**Max gate weight:** 1,500 lb (680kg) /2,200 lb (1,000kg)



## Wheel with Carriage Plates for 2" (51mm) Gate Frame

CODE	FINISH	FIXING	MAX GATE WEIGHT	WHEEL	PLATE	HEIGHT INCH/MM	WEIGHT LB/KG
CI2520	Zinc	Weld	1,500 lb (680kg)	Steel	Steel	4½" (119mm)	6 lb (2.7kg)
CI2720	Zinc	Weld	2,200 lb (1,000kg)	Steel	Steel	7½" (188mm)	12.5 lb (6kg)

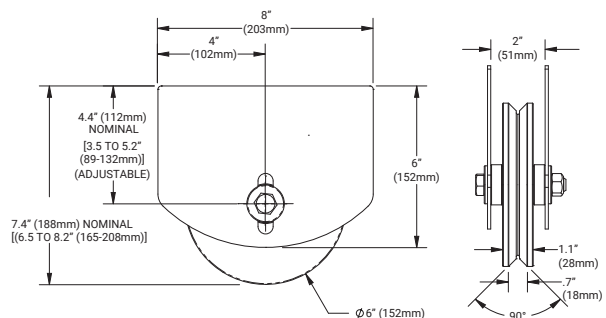


**CI2520 - 4" (102mm)**  
**CI2720 - 6" (152mm)**

- Adjustable plates for perfect installations
- Includes carriage plates, ideal for UL325 installation
- Narrow width to reduce friction and debris issues
- Super-hard cold rolled steel (30RC rating)

**Load rating per gate:** 3,000 lb (1,360kg)/5000 lb (2,300kg)

**Max gate weight:** 1,500 lb (680kg) /2,200 lb (1,000kg)

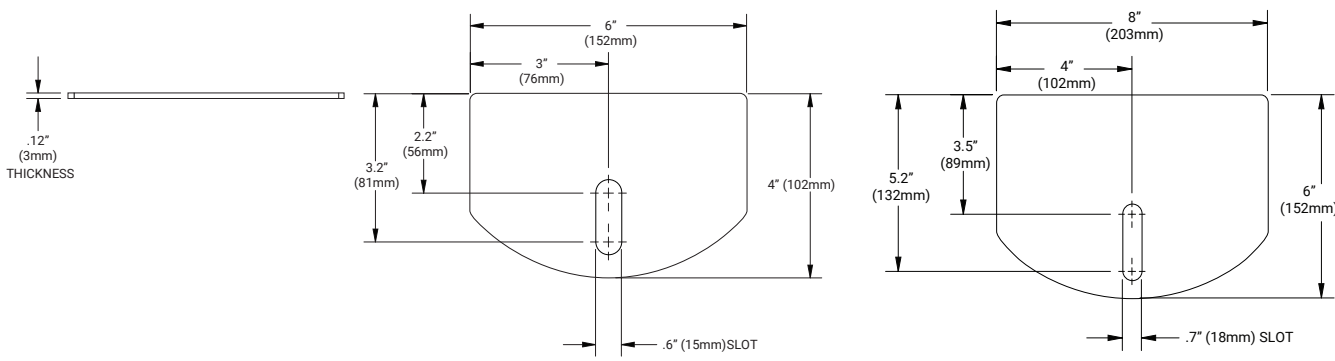




## The HardCore™ Carriage Plate in Steel/Aluminum

CODE	FINISH	FIXING	PLATE	HEIGHT INCH/MM	WEIGHT LB/KG
CI2140	Zinc	Weld	Steel	4" (102mm)	2 lb (1kg)
CI2160	Zinc	Weld	Steel	6" (152mm)	3.5 lb (1.6kg)
CI2140A	Zinc	Weld	Aluminum	4" (102mm)	2 lb (1kg)
CI2160A	Zinc	Weld	Aluminum	6" (152mm)	3.5 lb (1.6kg)

- Adjustable plates for perfect installation
- Meets UL 325 Safety Standard
- Models for 4" (102mm) and 6" (152mm) wheels
- Available in steel and aluminum
- No need for bulky and heavy wheel boxes
- .14" (3mm) plate thickness
- Combine with carriage caps for chain link applications

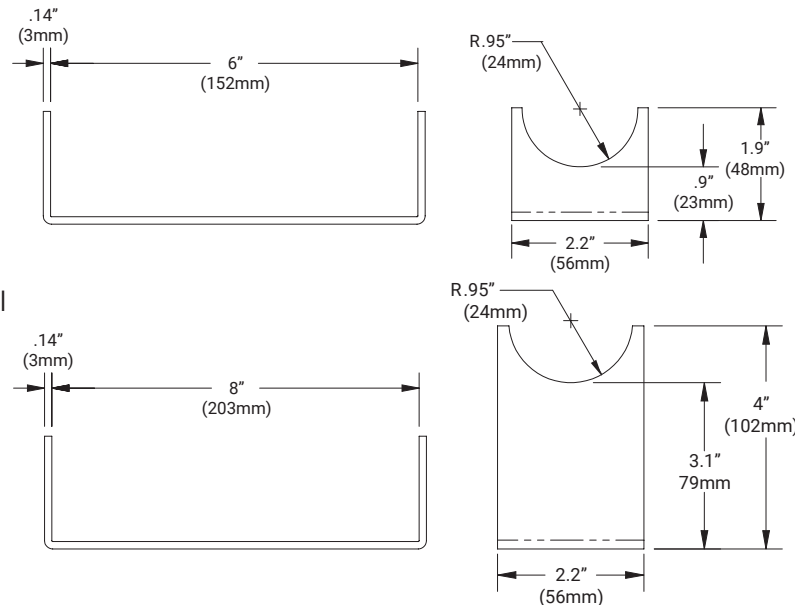


## The HardCore™ Carriage Cap

CODE	FINISH	FIXING	PLATE	HEIGHT INCH/MM	WEIGHT LB/KG
CI2340	Zinc	Weld	Steel	6" (152mm)	1 lb (0.5kg)
CI2360	Zinc	Weld	Steel	8" (203mm)	1.5 lb (0.7kg)

**CI2340 - 6" (152mm)**  
**CI2360 - 8" (203mm)**

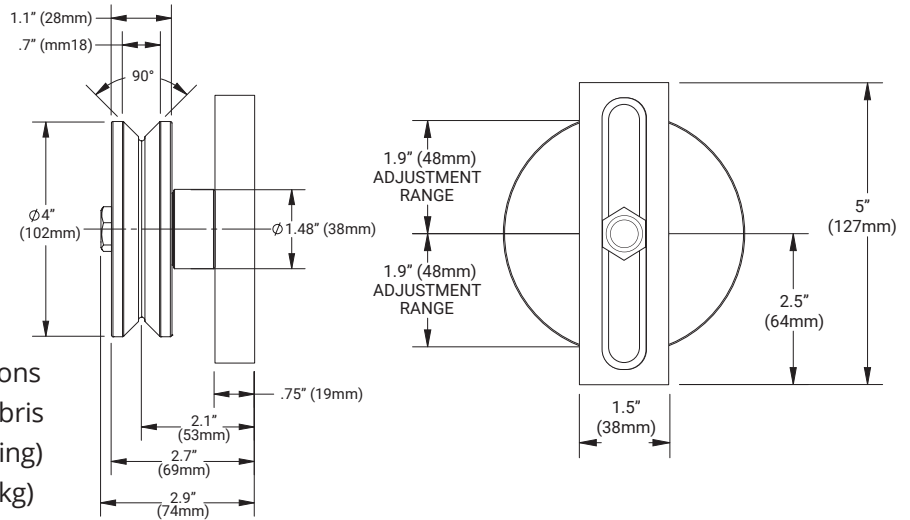
- Designed to be used with V-Groove Wheels
- Combines with carriage plates for round rail
- Perfect chainlink gate solution
- Creates a UL325- friendly system
- Made from high strength steel
- 4" (102mm) wheel carriage cap
- 6" (152mm) wheel carriage cap
- Welding instructions page 74





## The 4" (102mm) Cantilever Wheel Assembly

CODE	FINISH	FIXING	MAX GATE WEIGHT	WHEEL	PLATE	WHEEL DIAMETER	WEIGHT LB/KG
CI2240	Zinc	Weld	1,500 lb (680kg)	Steel	Steel	4" (102mm)	5 lb (2.3kg)



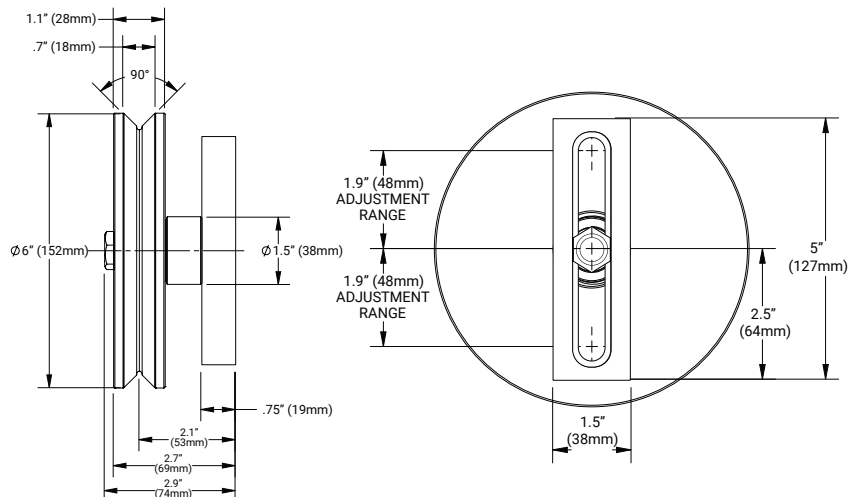
### CI2240

- Adjustable plates for perfect installations
- Narrow width reduces friction and debris
- Super-hard cold rolled steel (30RC rating)
- **Load rating per gate:** 3,000 lb (1,360kg)
- **Maximum gate weight:** 1,500 lb (680kg)



## The 6" (152mm) Cantilever Wheel Assembly

CODE	FINISH	FIXING	MAX GATE WEIGHT	WHEEL	PLATE	WHEEL DIAMETER	WEIGHT LB/KG
CI2260	Zinc	Weld	1,500 lb (680kg)	Steel	Steel	6" (152mm)	10.5 lb (4.8kg)



### CI2260

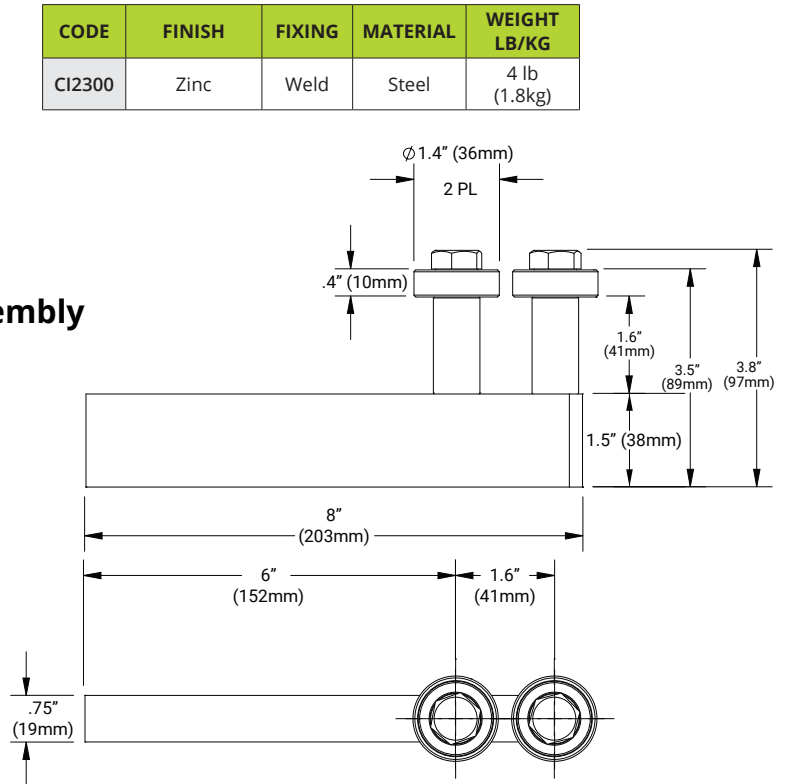
- Adjustable plates for perfect installations
- Narrow width reduces friction and debris
- Super-hard cold rolled steel (30RC rating)
- **Load rating per gate:** 3,000 lb (1,360kg)
- **Maximum gate weight:** 1,500 lb (680kg)

## The Gate Guide Assembly



### CI2300 - 6" (152mm) Gate Guide Assembly

- Ideal for gates without grade variation
- Replaces the industry standard guide rollers
- Simply attach Guide Assembly to the end-post
- Super hard steel
- Zinc finish

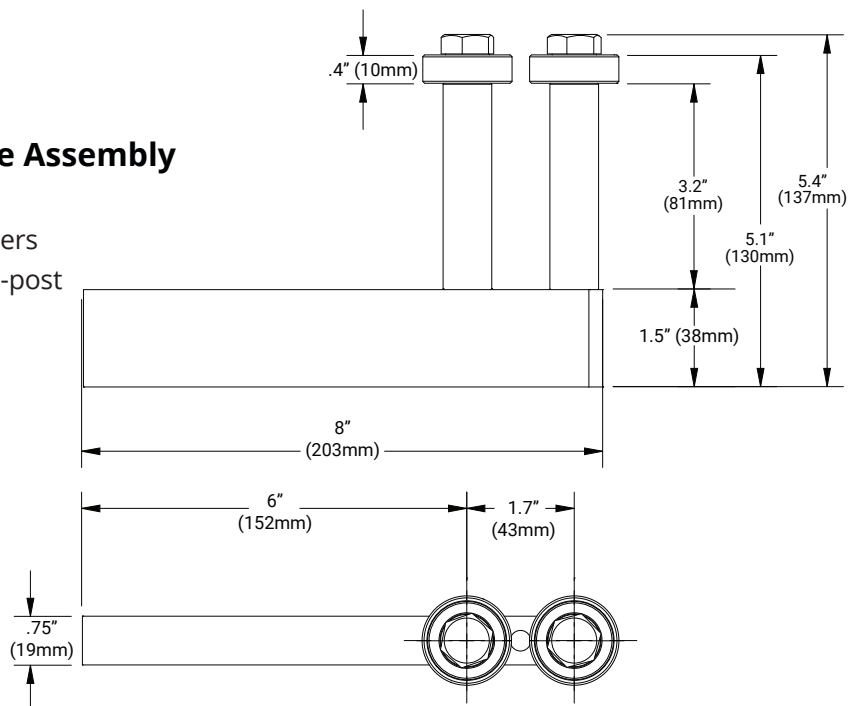


### CI2350 - 10" (254mm) Gate Guide Assembly

- Ideal for gates without grade variation
- Replaces the industry standard guide rollers
- Simply attach Guide Assembly to the end-post
- Super hard steel
- Zinc finish

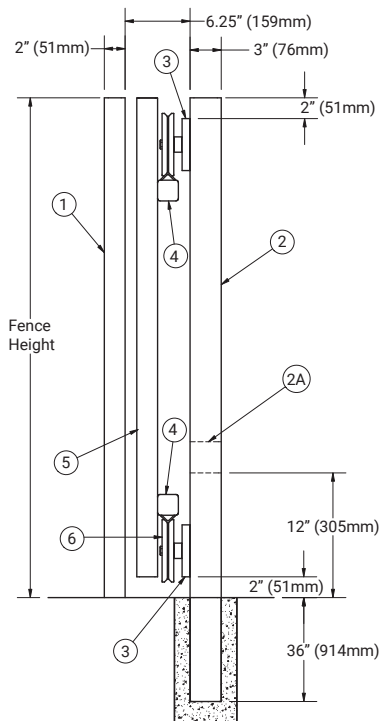
## The Extended Gate Guide Assembly

CODE	FINISH	FIXING	MATERIAL	WEIGHT LB/KG
CI2350	Zinc	Weld	Steel	4.5 lb (2kg)

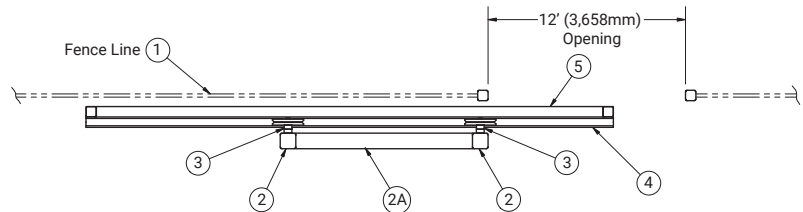




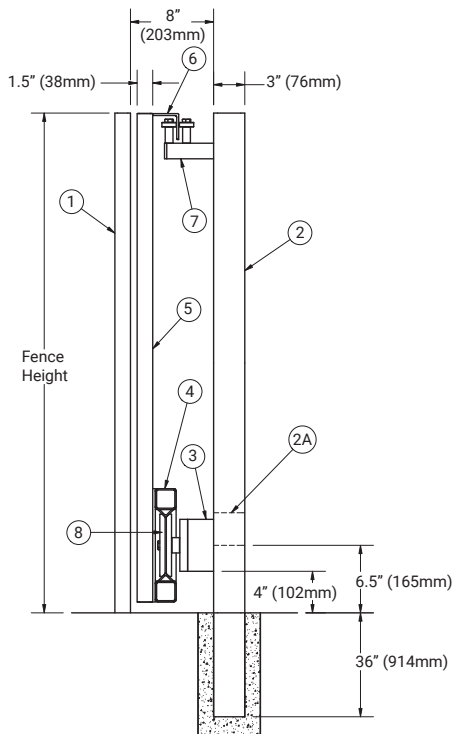
## Full Cantilever Gate System - 4 Wheel System & Semi Cantilever Installation Guide



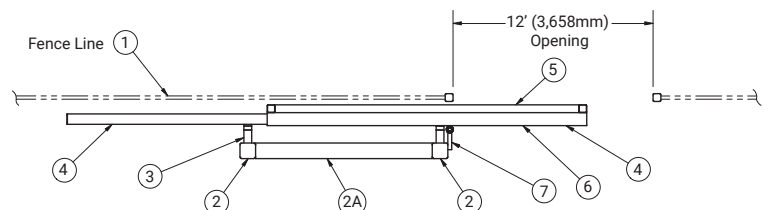
<b>1</b>	Fence Line
<b>2</b>	Two Posts: 3 x 3 x 3/16" (76x76x5mm), 4 x 4 x 3/16" (102x102x5mm), or 6 x 6 x 3/16" (152x152x5mm)
<b>2A</b>	Connect two posts with rail (can be used for operator mount)
<b>3</b>	Weld four Cantilever wheel assemblies to post
<b>4</b>	Weld or bolt 2 x 2 Cantilever rails to gate frame
<b>5</b>	Gate frame with support panel posts 3x3" (76x76mm) - up to 12" (3,658 mm) opening 4x4" (102 x 102mm) - up to 22" (6,700mm) opening 6x6" (152 x 152mm) - over 22" (6,700mm) opening Support panel length up to 12" (3,658mm) opening
<b>6</b>	For cantilever wheel assemblies: use CI2240 for 4" (102mm) wheels and CI2260 for 6" (152mm) wheels

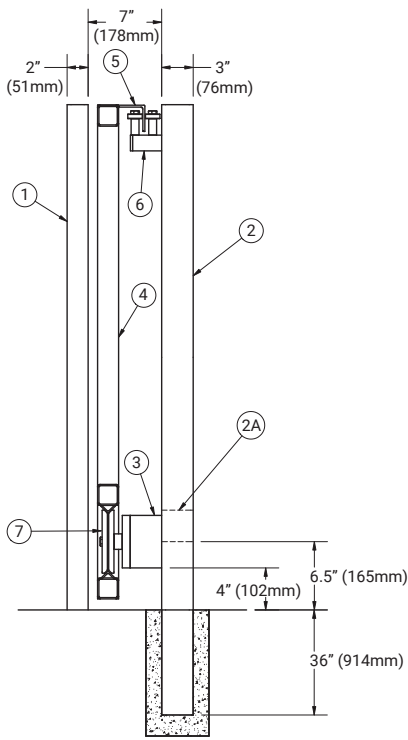


## Full Cantilever Gate System-Weld/Bolt-On Rail



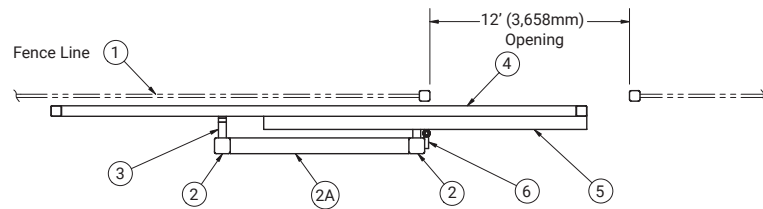
GATE SYSTEM SPECIFICATIONS	
<b>1</b>	Fence Line
<b>2</b>	Two Posts: 3 x 3 x 3/16" (76x76x5mm), 4 x 4 x 3/16" (102x102x5mm) 1 post at fence height - 1 post 24" (610mm) above grade
<b>2A</b>	Connect two posts with rail 6.5" (165mm) up from grade (can be used for operator mount)
<b>3</b>	Cantilever bracket with 2.5" (64mm) extensions (2 total)
<b>4</b>	Weld or bolt Cantilever rails to gate frame
<b>5</b>	Gate frame
<b>6</b>	2.5 x 2.5 x 3/16" (64 x 64 x 5mm) continuous angle weld for guide
<b>7</b>	Weld Guide Assembly CI2300 or CI2350 (extended version) to guide post
<b>8</b>	For Cantilever wheel assemblies: Use CI2240 for 4" (102mm) wheels and CI2260 for 6" (152mm) wheels





## Full Cantilever Gate System - built-In

1	Fence Line
2	Two Posts: 3 x 3 x 3/16" (76x76x5mm), 4 x 4 x 3/16" (102x102x5mm) 1 post at fence height - 1 post 24" (610mm) above grade
2A	Connect two posts with rail 6.5" (165mm) up from grade (can be used for operator mount)
3	Cantilever bracket with 3" (76mm) extensions (2 total)
4	Gate frame with cantilever rail can be used as part of frame
5	2.5 x 2.5 x 3/16" (64 x 64 x 5mm) continuous angle weld for guide
6	Counsel guide weld to guide post
7	For Cantilever wheel assemblies: Use CI2240 for 4" (102mm) wheels and CI2260 for 6" (152mm) wheels



## Proper Welding and FAQs



**Warning:** Hinges will be severely damaged if electrical welding current is not properly grounded, resulting in the Warranty being voided.

### What type of sealed bearings does Shut-It use?

High-temp sealed radial ball bearings. They never need grease or maintenance. Unlike other hinges that require periodic greasing, sand and dirt won't get inside your Shut-It hinges ensuring long life and superior performance. Our 304 stainless steel hinge model comes with stainless steel sealed bearings.

### Does your zinc plating need to be removed before welding?

No. Zinc plating does not need to be ground off or removed in any way before welding. You will find the weld to be clean and without impurities. However, you will need to re-apply appropriate rust and corrosion protection after welding. Zinc makes an excellent undercoat for painting. We do not use a hot-dipped galvanizing process in order to avoid 'metal fume fever' or 'zinc poisoning' when welding. After 20 years and over 100,000 installations we have not had a single complaint in this regard. Be sure to follow standard welding guidelines and wear appropriate eye, face and body protection when welding.

### Can I powder-coat my Shut-It® hinges?

Yes, except for the Self-Closing BadAss Hinge (CI3850) and Stainless Steel BadAss Hinge (CI3800). Shut-It® hinges shipped from March 1, 2019 onward use special sealed ball-bearings with grease and seals that are specifically formulated to withstand the temperatures encountered in a powder-coating line.

Although it is no longer necessary to remove the bearings from the hinges, it is still necessary to shield the bearings and interior surfaces of the hinge from pre-treatment sand blasting and powder-coat particles, as these may cause binding or premature wear. The self-closing hinge (CI3850) cannot be powder-coated due to additional components that will be negatively affected by the powder-coating process.

### I want to use your stainless steel hinges for a stainless steel gate, but the fence post will be mild steel. Any suggestions on proper welding techniques?

For welding stainless steel hinges to mild steel gates and posts we recommend using type 309 (23 12L to BS EN 12072) welding rods or wire. This should help avoid cracking in the weld dilution zone that can be a problem if normal rods or filler are used. Unprotected welds subject to aggressive environments such as immersion in seawater could result in sacrificial corrosion to the less noble carbon steel part. However, post-weld surface coating repair would normally be needed for the carbon steel to 'restore' the corrosion protection.

If this re-coating/painting is allowed to lap over onto the weld bead then the joint should not be at risk to bimetallic corrosion in any environment so long as the coating is sound. Ideally the weld bead should be covered so that only the 'parent' stainless steel is exposed. This ensures that galvanic corrosion cells cannot be set up across the joint, where there is a composition 'gradient.'

### What color zinc are your products finished with?

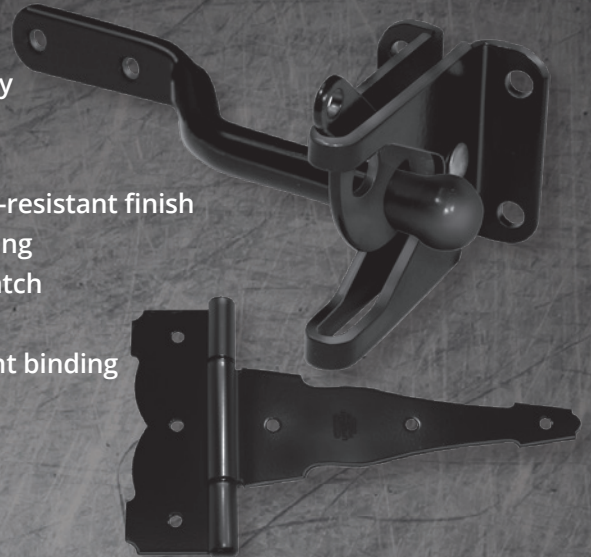
All zinc coatings have an additive called chromate that helps the zinc adhere to the metal's surface. Chromate comes in the following colors: yellow, black and blue. Shut-It uses blue chromate which actually looks clear, but if you look close enough it has a blue tint. All colors of zinc chromate perform equally.

### Does the hinge Load Rating mean it can permanently hold a gate that heavy?

No, a gate's overall load when opening and closing will vary based on many factors including gate weight, length and height of the gate, wind, people hanging on the gate, etc. You can expect the Load Rating on your hinges to be as much as twice the actual weight of your gate. Shut-It recommends you consult an engineer to assist in calculating your load ratings and there are many internet discussions on this subject that you may find useful.

# Powder-coated latches, hinges and accessories for wood gates

- Thicker gauge steel improves overall strength and durability
- Superior strength and appearance – no rough edges
- Superior powder-coated finish (highly corrosion resistant)
- Fully treated screws included, with a proprietary, corrosion-resistant finish
- Screw heads have additional powder-coated weatherproofing
- Striker-bolt head prevents bolt from slipping through the latch
- Hinges will not bind (powder-coated before assembly)
- Patented polymer bearings and high-tech lubricants prevent binding



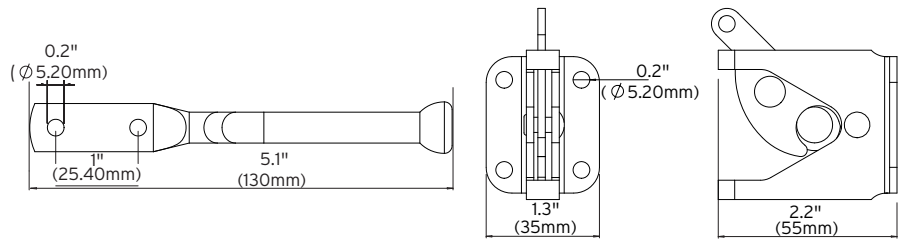
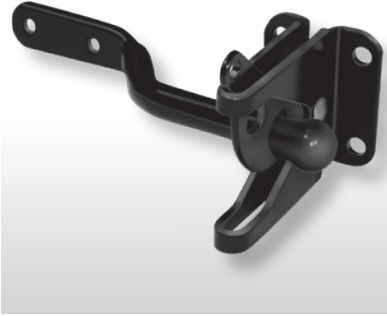
5 YEAR ON SPRINGS



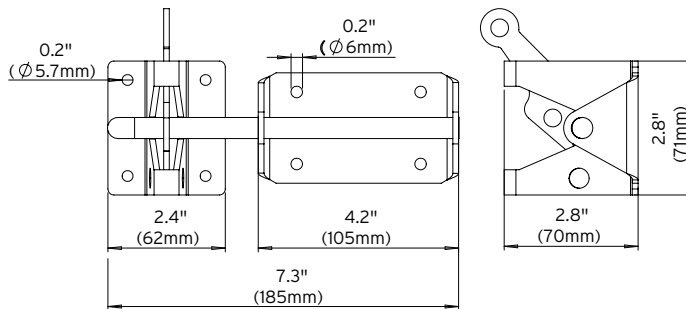
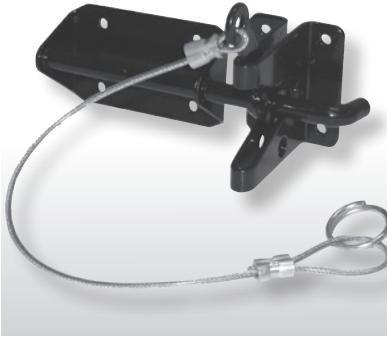
CODE	MODEL / FEATURE	GATE MATERIAL	SOLD AS
210001	Regular Gravity Latch	Wood/Vinyl	Single
210002	Heavy Duty Gravity Latch	Wood/Vinyl	Single
210007	HD Gravity Latch/Cable and O-ring	Wood/Vinyl	Single
210003	Standard Post Latch	Wood/Vinyl	Single
210004	Thumb Latch	Wood/Vinyl	Single
210005	Side Bolt Latch	Wood/Vinyl	Single
210006	Contemporary Post Latch	Wood/Vinyl	Single
220001	Round Rail Loop latch	Wood	Single
310001	8" T-Hinge Regular Decorative	Wood/Vinyl	Pair
310002	8" Strap Hinge Regular Decorative	Wood/Vinyl	Single Hinge
310003	10" T-Hinge Heavy Duty Traditional	Wood/Vinyl	Single Hinge
310004	8" T-Hinge Heavy Duty Traditional	Wood/Vinyl	Pair
310005	10" Strap Hinge Heavy Duty Traditional	Wood/Vinyl	Single Hinge
310006	8" Strap Hinge HD Traditional	Wood/Vinyl	Single Hinge
310007	8" T-Hinge Heavy Duty Contemporary	Wood/Vinyl	Pair
310008	8" Strap Hinge Contemporary	Wood/Vinyl	Single Hinge
310009	8" Butterfly Hinge Contemporary	Wood/Vinyl	Pair
310010	8" Butterfly Hinge Traditional	Wood/Vinyl	Pair
410001	11" Gate Spring	Wood/Vinyl	Single
410002	14" Gate Spring	Wood/Vinyl	Single
410003	24" Drop Bolt	Wood/Vinyl	Single
410004	40" Drop Bolt	Wood/Vinyl	Single
410005	Gate Handle	Wood/Vinyl	Single
420001	Gate Anti-sag Kit	Wood	Single

Customized wood gate hardware Kits available (USA only). Email: [customerservice@ddtechusa.com](mailto:customerservice@ddtechusa.com) for US pricing.

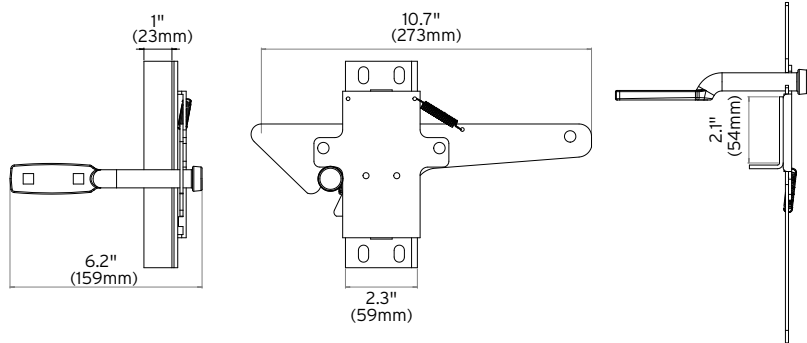
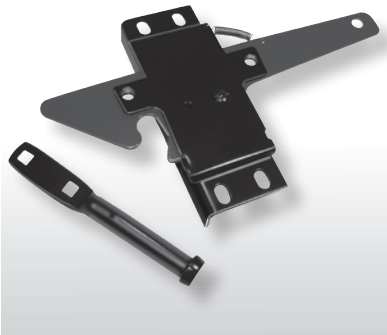
## 210001 - Regular Gravity Latch



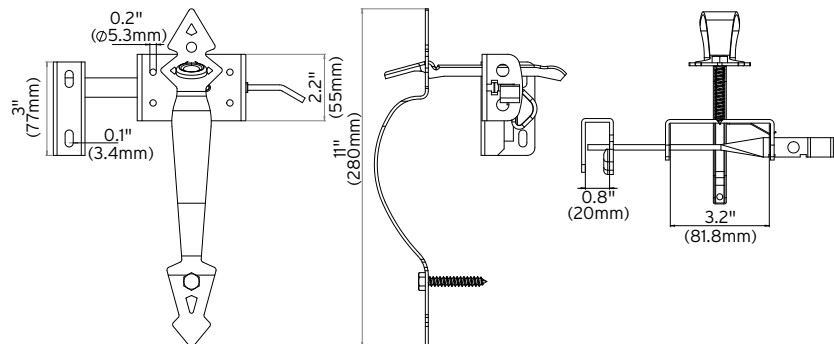
## 210002 - Heavy Duty Gravity Latch 210007 - With Cable and O-ring



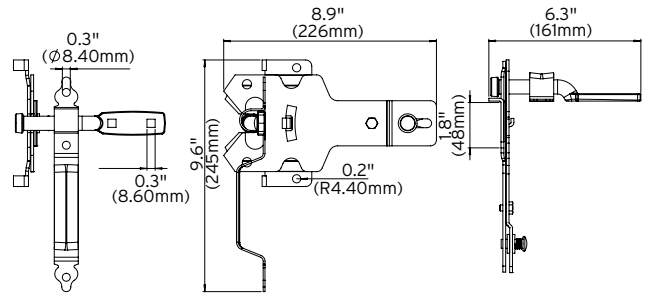
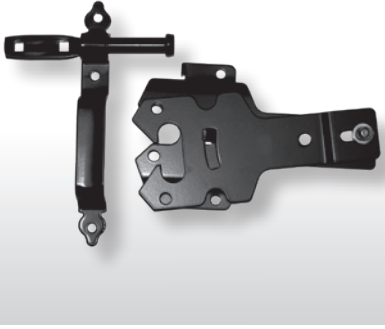
## 210003 - Standard Post Latch



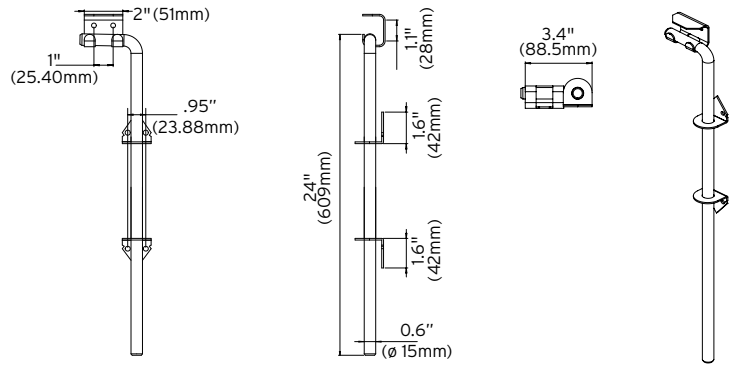
## 210004 - Thumb Latch



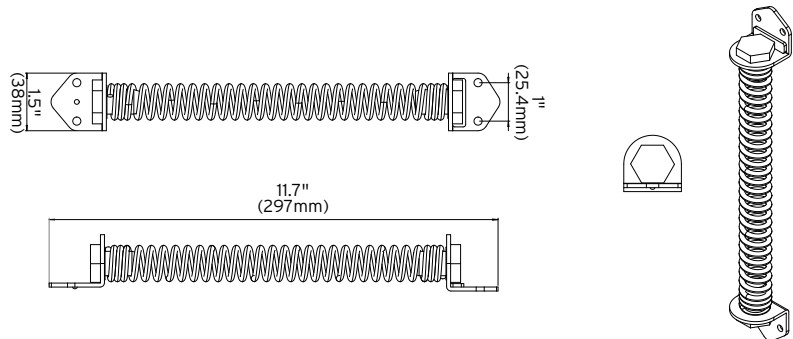
## 210006 – Contemporary Post Latch



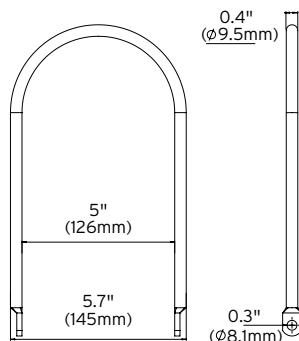
## 410003 – 24" Drop Bolt • 410004 – 40" Drop Bolt



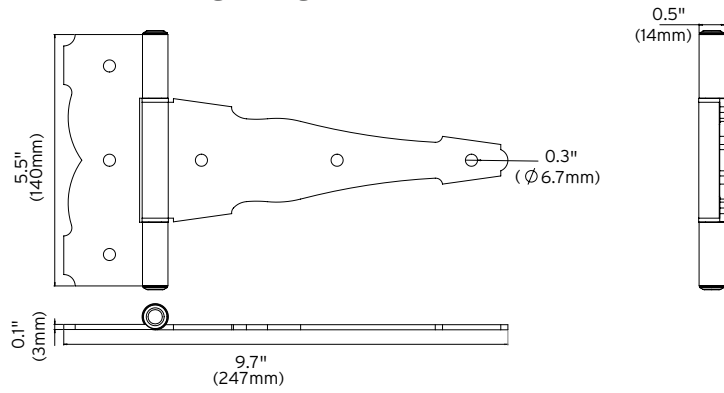
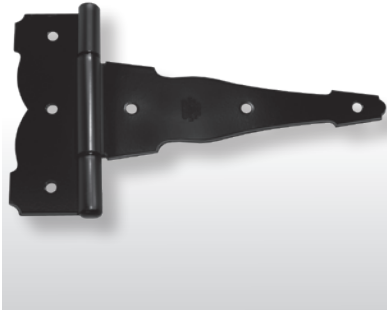
## 410001 – 11" Gate Spring • 410002 14" Gate Spring



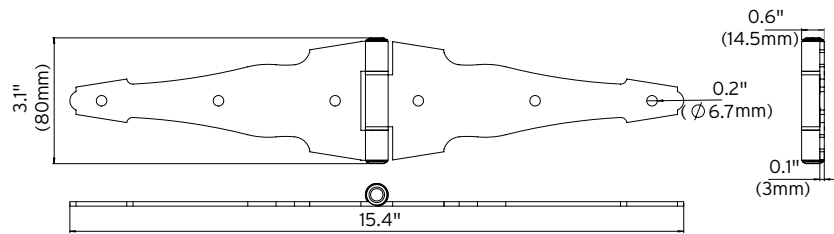
## 220001- Round Rail Loop latch • 420001- Anti-sag Kit



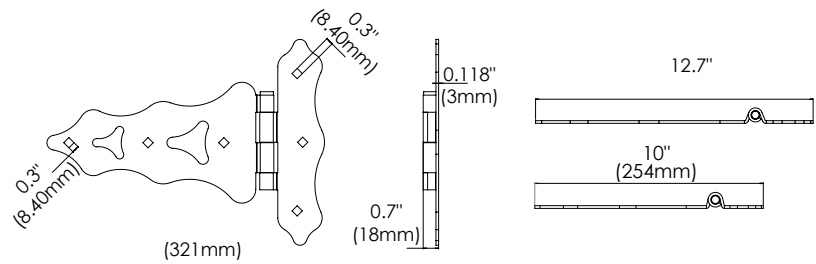
**310001 - 8" T-Hinge Regular Decorative**



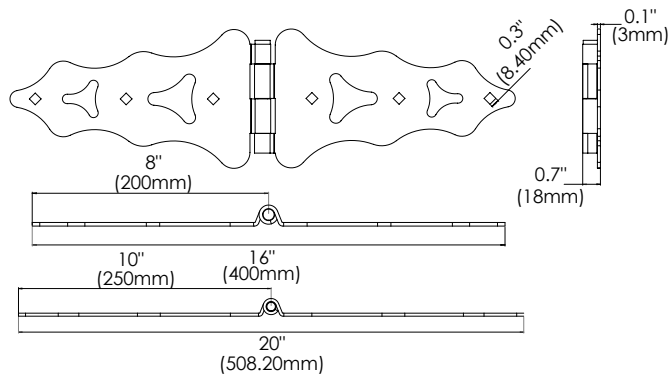
**310002 - 8" Strap Hinge Regular Decorative**



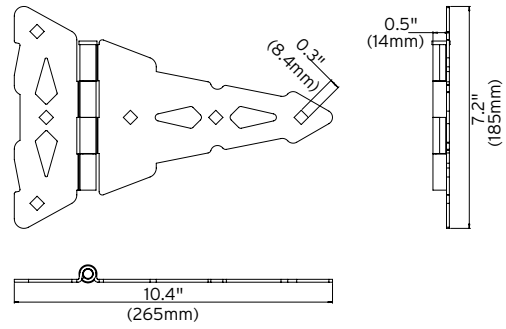
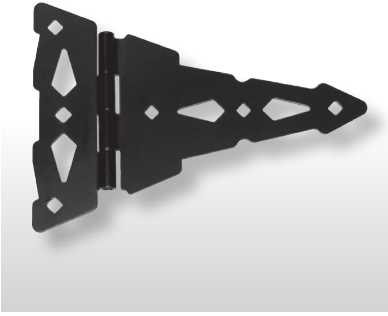
**310003 - 10" T-Hinge HD Traditional**  
**310004 - 8" T-Hinge HD Traditional**



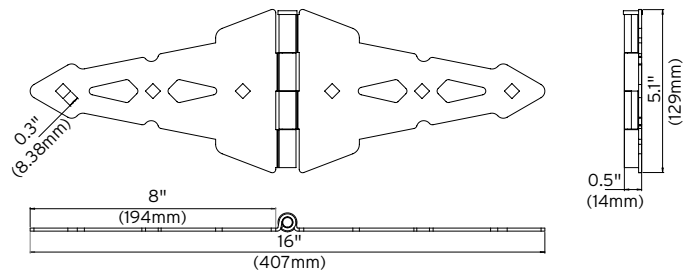
**310005 - 10" Strap Hinge HD Traditional**  
**310006 - 8" Strap Hinge HD Traditional**



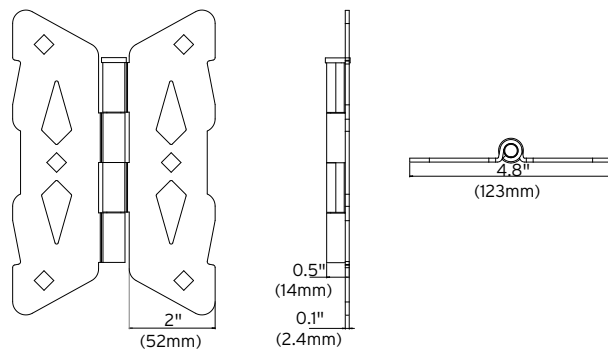
### 310007 - 8" T-Hinge HD Contemporary



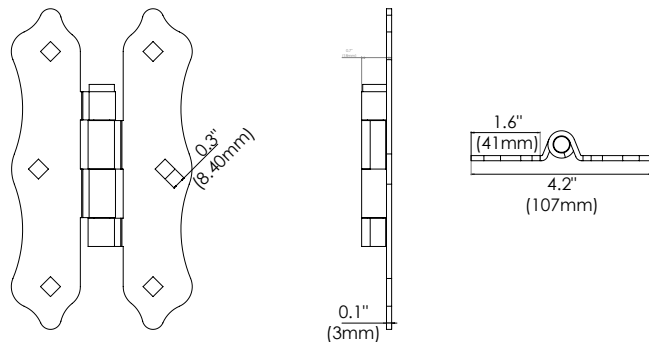
### 310008 - 8" Strap Hinge Contemporary



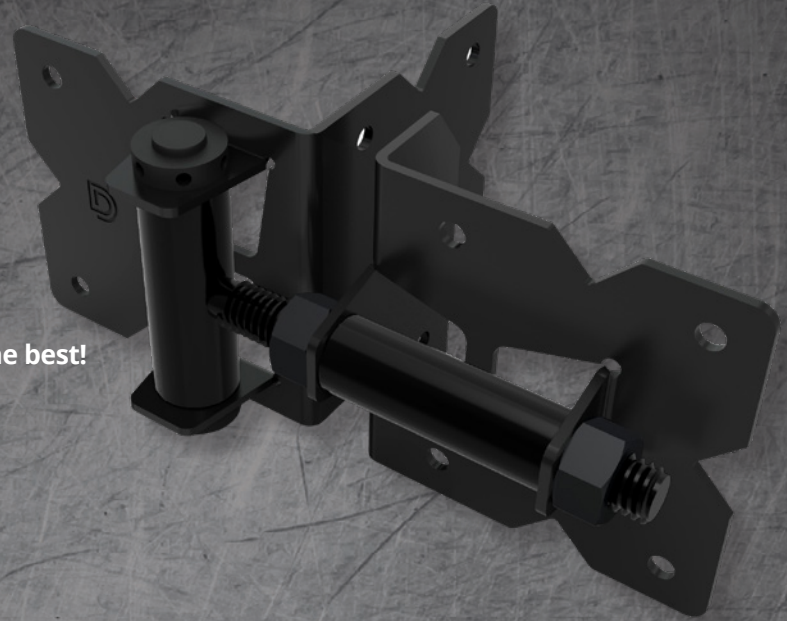
### 310009 - 8" Butterfly Hinge Contemporary



### 310010 - 8" Butterfly Hinge Traditional

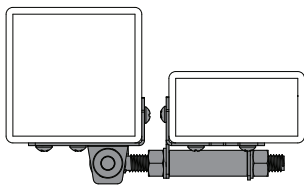


## Fully powder-coated hinges and latches for vinyl gates

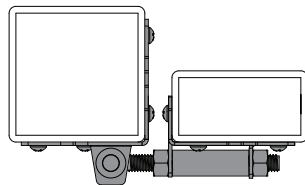


- D&D branded so you know you're getting the best!
- 100% marine-grade powder-coated finish (no unfinished surfaces)
- Self-closing, tension-adjustable hinges
- Regular and Heavy Duty models
- Non-spring versions available
- Standard and Narrow side-fixing legs
- Stainless steel screws + tension-adjustment tool included
- Horizontally adjustable
- Standard and contemporary post latches
- Latches accommodate most padlock sizes (padlock not included)

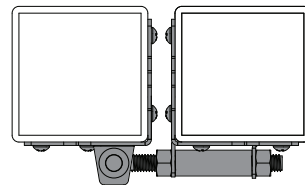
CODE	MODEL / FEATURE	SIDE FIXING LEGS	GAP VARIANCE	COLOR	FASTENERS INCLUDED	SOLD AS
DDSHDNNNA	Heavy Duty Hinge - Self-closing, tension adjustable	Narrow to Narrow	$\frac{5}{8}'' - 1 \frac{3}{16}''$ (16 - 30mm)	Black	Self-drilling 410 Stainless Steel	Pair
DDSHDSS	Heavy Duty Hinge - No spring, plain pivoting	Standard to Standard	$\frac{5}{8}'' - 2 \frac{3}{8}''$ (16 - 60mm)	Black	Self-drilling 410 Stainless Steel	Pair
DDSHNNA	Regular Hinge - Self-closing, tension adjustable	Narrow to Narrow	$\frac{5}{8}'' - 1 \frac{3}{16}''$ (16 - 30mm)	Black	Self-drilling 410 Stainless Steel	Pair
DDSHSN	Regular Hinge - No spring, plain pivoting	Standard to Narrow	$\frac{5}{8}'' - 1 \frac{3}{4}''$ (16 - 45mm)	Black	Self-drilling 410 Stainless Steel	Pair
DDSHSNA	Regular Hinge - Self-closing, tension adjustable	Standard to Narrow	$\frac{5}{8}'' - 1 \frac{3}{16}''$ (16 - 30mm)	Black	Self-drilling 410 Stainless Steel	Pair
DDSHSS	Regular hinge - No Spring, plain pivoting	Standard to Standard	$\frac{5}{8}'' - 1 \frac{3}{4}''$ (16 - 45mm)	Black	Self-drilling 410 Stainless Steel	Pair
DDSHNW3A	Regular Hinge - Self-closing, tension adjustable	Narrow to Wrap 2"	$\frac{5}{8}'' - 1 \frac{3}{16}''$ (16 - 30mm)	Black	Self-drilling 410 Stainless Steel	Pair
DDSL2	Standard Post Latch	Standard to Narrow	$\frac{3}{4}'' - 1 \frac{1}{2}''$ (19 - 38mm)	Black	Self-drilling 410 Stainless Steel	Each
DDSLM	Contemporary Post Latch	Standard to Narrow	$\frac{3}{4}'' - 2''$ (19 - 50mm)	Black	Self-drilling 410 Stainless Steel	Each



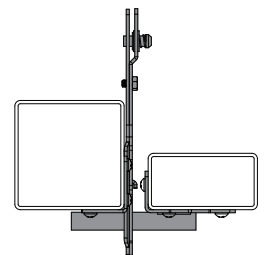
**DDSHNNA**  
Narrow to Narrow



**DDSHSNA**  
Standard to Narrow



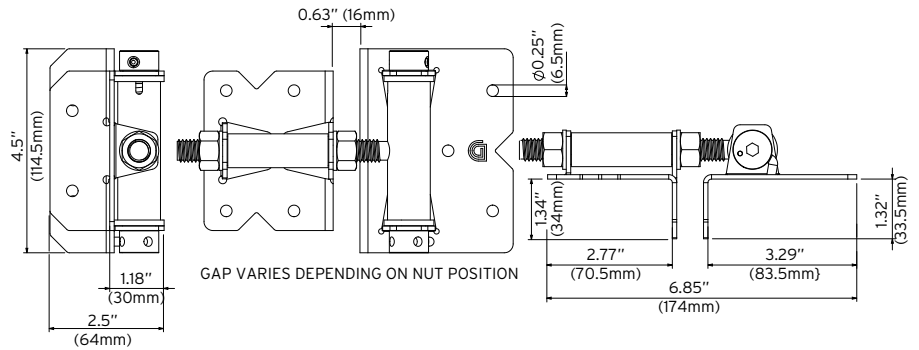
**DDSHSS**  
Standard to Standard



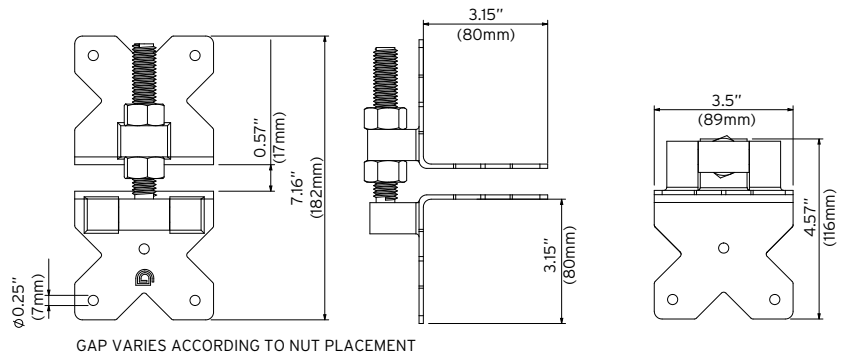
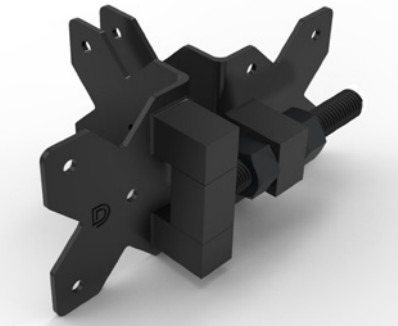
**DDSLM**  
Standard to Narrow



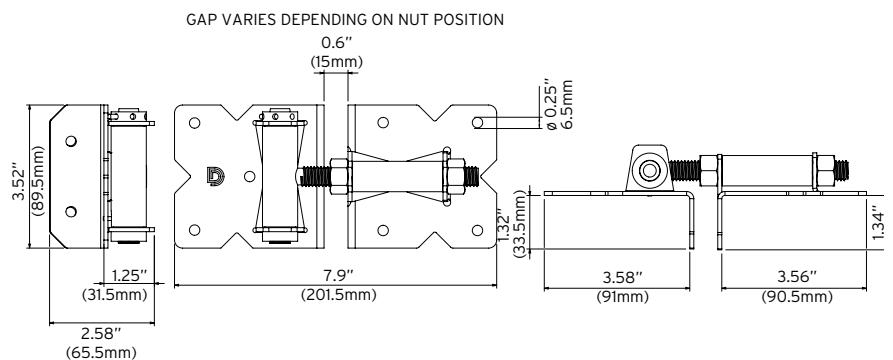
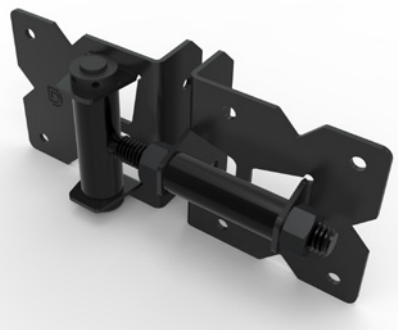
**DDSHDNNA Heavy Duty Hinge.**  
**Self-closing, tension adjustable.**  
**Narrow to Narrow.**



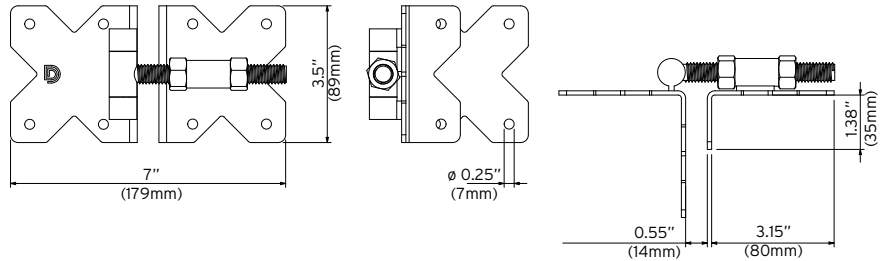
**DDSHDSS Heavy Duty Hinge.**  
**No spring, plain pivoting.**  
**Standard to Standard.**



**DDSHNNA Regular Hinge.**  
**Self-closing, tension adjustable.**  
**Narrow to Narrow.**

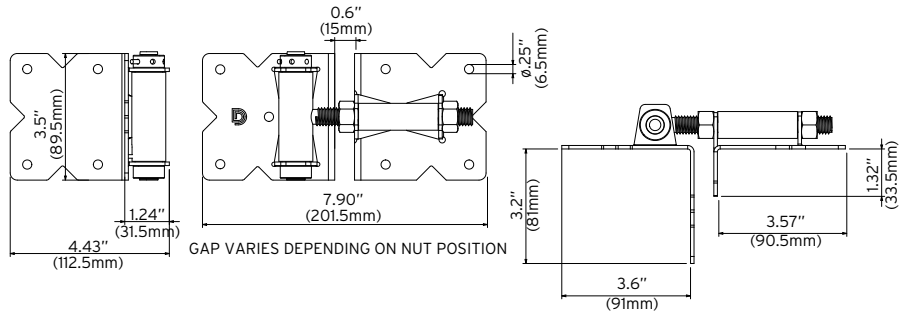


**DDSHSN Regular Hinge.**  
**No spring, plain pivoting.**  
**Standard to Narrow.**



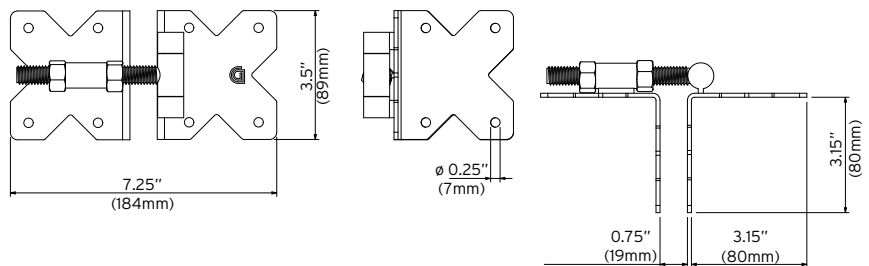
GAP VARIES ACCORDING TO NUT PLACEMENT

**DDSHSNA Regular Hinge.**  
**Self-closing, tension adjustable.**  
**Standard to Narrow.**



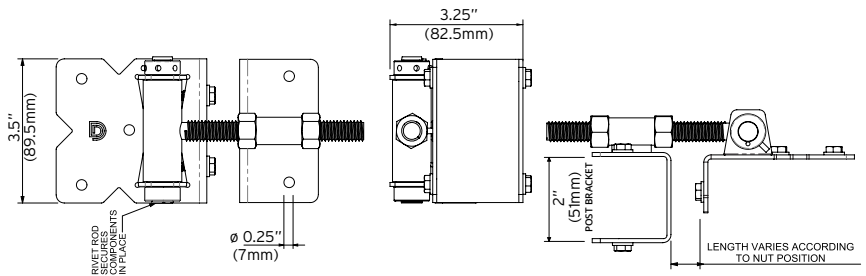
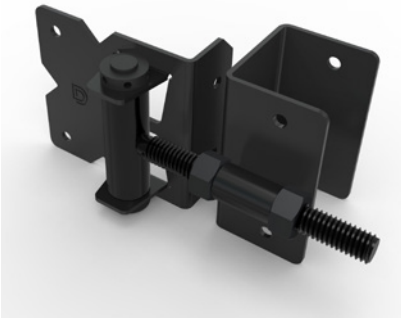
GAP VARIES DEPENDING ON NUT POSITION

**DDSHSS Regular Hinge.**  
**No Spring, plain pivoting.**  
**Standard to Standard.**

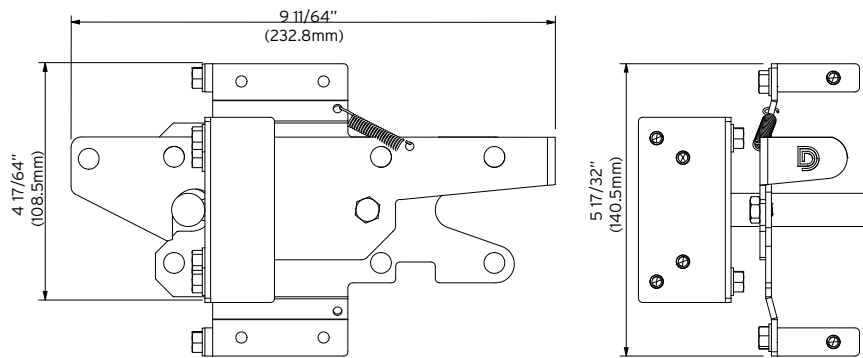


GAP VARIES ACCORDING TO NUT POSITION

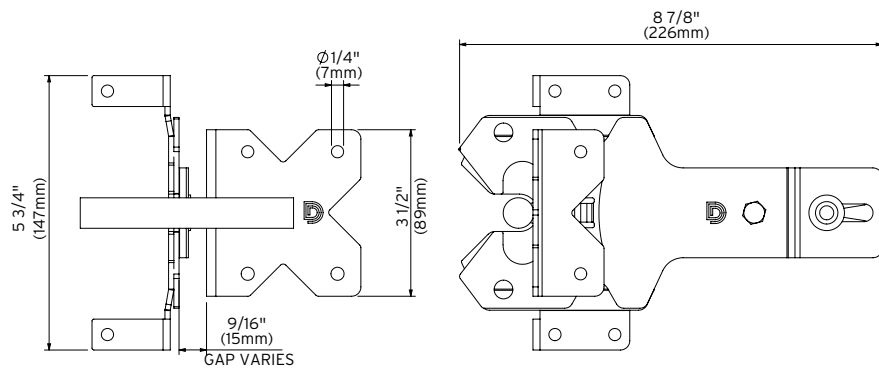
**DDSHNW3A Regular Hinge.**  
**Self-closing, tension adjustable.**  
**Standard to 2" (51mm) Wrap-Around**



**DDSL2 Standard Post Latch.**  
**Standard to Narrow.**



**DDSLM Contemporary Post Latch.**  
**Standard to Narrow.**





# D&D Technologies

World's most trusted gate hardware

## AUSTRALIA:

D&D Technologies Pty Ltd  
Unit 6, 4-6 Aquatic Drive, Frenchs Forest NSW 2086  
Tel: (02) 9454 7888 Fax: (02) 9454 7688.  
E-mail: sales@ddtech.com.au

## NORTH & SOUTH AMERICA:

D&D Technologies (USA) Inc.  
17531 Metzler Lane, Huntington Beach, CA 92647  
Tel: (800) 716-0888 or (714) 677-1300  
Fax: (800) 464-6400 or (714) 677-1299  
E-mail: info@ddtechusa.com

## EUROPE:

D&D Technologies B.V.  
Vondellaan Niasstraat 1, 3531 WR Utrecht, The Netherlands  
Tel: +31 (0)30 291 98 47 Fax: +31 (0)30 291 99 98  
E-mail: sales@ddtech.nl

## UK:

D&D Technologies,  
Charlwoods Road, East Grinstead, West Sussex RH19 2HR  
Tel: +44 (0) 1342 327280 Fax: +44 (0) 1342 327115  
Email: enquiries@ddtechglobal.co.uk

AVAILABLE FROM

ISBN 9780648760504



9 780648 760504 >